

ATV310

Variable speed drives for asynchronous motors

User manual

04/2015



380 V...460 V three-phase, power rating 0.37 kW to 11 kW

Contents

Important information	4
Before you begin	5
Documentation structure	7
Steps for setting up (also refer to Quick Start)	8
Setup - Preliminary recommendations	9
Drive ratings	10
Dimensions and weights	11
Mounting	12
Wiring	14
Power terminals	18
Control terminals	21
Check list Before Switching On	25
Factory configuration	26
Basic functions	27
Programming	28
Structure of parameter tables	31
Function compatibility table	32
Reference Mode rEF	33
Monitoring mode MOn	34
Configuration mode, ConF	41
Configuration Mode	42
Configuration Mode - Complete menu (FULL)	43
Maintenance	95
Diagnostics and Troubleshooting	97
Application notes	103
Parameter index	109

Important information

NOTICE

Read these instructions carefully, and become familiar with the device before trying to install, operate, or maintain it. The following special messages may appear throughout this documentation or on the equipment to warn of potential hazards or to call attention to information that clarifies or simplifies a procedure.



The addition of this symbol to a Danger or Warning safety label indicates that an electrical hazard exists, which will result in personal injury if the instructions are not followed.



This is the safety alert symbol. It is used to alert you to potential injury hazards that exist at this point. Obey all safety messages that follow this symbol to avoid possible injury or death.

DANGER

DANGER indicates an imminently hazardous situation, which, if not avoided, **will result** in death or serious injury.

WARNING

WARNING indicates a potentially hazardous situation which, if not avoided, **can result** in death, serious injury or equipment damage.

CAUTION

CAUTION indicates a potentially hazardous situation which, if not avoided, **can result** in injury or equipment damage.

NOTICE

Notice, used without the safety alert symbol, indicates a potentially hazardous situation which, if not avoided, **can result** in equipment damage.

PLEASE NOTE

The word "drive" as used in this manual refers to the controller of the adjustable speed drive as defined by NEC.

Electrical equipment should be installed, operated, serviced, and maintained only by qualified personnel. No responsibility is assumed by Schneider Electric for any consequences arising out of the use of this product.

© 2014 Schneider Electric. All Rights Reserved.

Before you begin

Read and understand these instructions before performing any procedure with this drive.

DANGER

HAZARD OF ELECTRIC SHOCK, EXPLOSION OR ARC FLASH

- Only appropriately trained persons who are familiar with and understand the contents of this manual and all other pertinent product documentation and who have received safety training to recognize and avoid hazards involved are authorized to work on and with this drive system. Installation, adjustment, repair, and maintenance must be performed by qualified personnel.
- The system integrator is responsible for compliance with all local and national electrical code requirements as well as all other applicable regulations with respect to grounding of all equipment.
- Many components of the product, including the printed circuit boards, operate with mains voltage. Do not touch. Use only electrically insulated tools.
- Do not touch unshielded components or terminals with voltage present.
- Motors can generate voltage when the shaft is rotated. Before performing any type of work on the drive system, block the motor shaft to prevent rotation.
- AC voltage can couple voltage to unused conductors in the motor cable. Insulate both ends of unused conductors of the motor cable.
- Do not short across the DC bus terminals or the DC bus capacitors or the braking resistor terminals.
- Before performing work on the drive system:
 - Disconnect all power, including external control power that may be present.
 - Place a "Do Not Turn On" label on all power switches.
 - Lock all power switches in the open position.
 - Wait 15 minutes to allow the DC bus capacitors to discharge. The DC bus LED is not an indicator of the absence of DC bus voltage that can exceed 800Vdc.
 - Measure the voltage on the DC bus between the DC bus terminals (PA/+ and DC/-) using a properly rated voltmeter to verify that the voltage is < 42Vdc.
 - If the DC bus capacitors do not discharge properly, contact your local Schneider Electric representative.
- Install and close all covers before applying voltage.

Failure to follow these instructions will result in death or serious injury.

WARNING

UNEXPECTED MOVEMENT

Drive systems may perform unexpected movements because of incorrect wiring, incorrect settings, incorrect data or other errors.

- Carefully install the wiring in accordance with the EMC requirements.
- Do not operate the product with unknown or unsuitable settings or data.
- Perform a comprehensive commissioning test.

Failure to follow these instructions can result in death, serious injury, or equipment damage.

Damaged products or accessories may cause electric shock or unanticipated equipment operation.

DANGER

ELECTRIC SHOCK OR UNANTICIPATED EQUIPMENT OPERATION

Do not use damaged products or accessories.

Failure to follow these instructions will result in death or serious injury.

Contact your local Schneider Electric sales office if you detect any damage whatsoever.

NOTICE

RISK OF DAMAGE TO THE DRIVE

The drive should be cleaned and maintained on a regular basis when operating in high temperature, humid, greasy, chemical, dusty or vibrating environments to prevent reduced driver lifespan and equipment damage.

Failure to follow these instructions can result in equipment damage.

Before you begin

WARNING

LOSS OF CONTROL

- The designer of any control scheme must consider the potential failure modes of control paths and, for critical control functions, provide a means to achieve a safe state during and after a path failure. Examples of critical control functions are emergency stop, overtravel stop, power outage, and restart.
- Separate or redundant control paths must be provided for critical control functions.
- System control paths may include communication links. Consideration must be given to the implications of unanticipated transmission delays or failures of the link.
- Observe all accident prevention regulations and local safety guidelines. (a)
- Each implementation of the product must be individually and thoroughly tested for proper operation before being placed into service.

Failure to follow these instructions can result in death, serious injury or equipment damage.

a. For USA: Additional information, refer to NEMA ICS 1.1 (latest edition), "Safety Guidelines for the Application, Installation, and Maintenance of Solid State Control" and to NEMA ICS 7.1 (latest edition), "Safety Standards for Construction and Guide for Selection, Installation and Operation of Adjustable Speed Drive Systems."

NOTICE

DESTRUCTION DUE TO INCORRECT MAINS VOLTAGE

Before switching on and configuring the product, verify that it is approved for the mains voltage.

Failure to follow these instructions can result in equipment damage.

Using motors in parallel

Set [Motor control type 309](#) (page 52) to [03](#).

Motor thermal monitoring is no longer provided by the drive.

NOTICE

MOTOR OVERHEATING

Install external thermal monitoring equipment under the following conditions:

If several motor are connected to the same drive, Install external thermal monitoring equipment for each motor

Failure to follow these instructions can result in equipment damage.

Documentation structure

The following Altivar 310 technical documents are available on the Schneider Electric website (www.schneider-electric.com).

ATV310 Quick Start Guide (EAV96135)

The Quick Start Guide is delivered with the drive and describes how to wire and configure the drive to start motor quickly and simply for simple applications.

ATV310 User manual (EAV94277)

This manual describes how to install, program and operate the drive.

ATV310 Modbus Communication manual (EAV94278)

This manual describes the assembly, connection to the bus or network, signaling, diagnostics, and configuration of the communication-specific parameters via the 7 segment LED display.

It also describes the communication services of the Modbus protocol.

This manual includes all Modbus addresses. It explains the operating mode specific to communication (state chart).

ATV310 Modbus parameters description file (EAV94279)

All the parameters are grouped together in an Excel file with the following data:

- Code
- Name
- Modbus Addresses
- Category
- Read/write access
- Type: signed numerical, unsigned numerical, etc.
- Unit
- Factory setting
- Minimum value
- Maximum value
- Display on the 7-segment integrated display terminal
- Relevant menu
- This file offers the option of sorting and arranging the data according to any criterion chosen by the user.

1. Receive and inspect the drive

- Check that the part number printed on the label is the same as that on the purchase order.
- Remove the ATV310 from its packaging and check that it has not been damaged in transit.

2. Check the line voltage

- Check that the line voltage is compatible with the voltage range of the drive (page 8).

3. Mount the drive

- Mount the drive in accordance with the instructions in this document (page 13).
- Install any options required.

4. Wire the drive (page 14)

- Connect the motor, ensuring that its connections correspond to the voltage.
- Connect the line supply, after making sure that the power is off.
- Connect the control part.

5. Configure the drive (page 26)

- Apply input power to the drive, but do not give a run command.
- Set the motor parameters (in Conf mode) only if the factory configuration of the drive is not suitable.
- Perform auto-tuning.

6. Start

Steps 2 to 4 must be performed with the power off.



Setup - Preliminary recommendations

Prior to switching on the drive

WARNING

UNANTICIPATED EQUIPMENT OPERATION

Before switching on the device, verify that no unintended signals can be applied to the digital inputs that could cause unintended movements.

Failure to follow these instructions can result in death, serious injury, or equipment damage.

Using the drive with motor having a different size

The motor could have a different rating to the drive. In case of smaller motors, there is no specific calculation. The estimated motor current has to be set at **Motor thermal current 6 0 4. 0** parameter (page 89). In case of large motors (with up to 2 times the capacity of the drive), e.g., using a 4 kW motor in conjunction with a 2.2 kW drive, motor current and actual motor power must not exceed the rated current and power of the drive.

Line contactor

NOTICE

RISK OF DAMAGE TO THE DRIVE

Do not switch on the drive at intervals of less than 60 s.

Failure to follow these instructions can result in equipment damage.

Use with a smaller rated motor or without a motor

- In factory settings mode, **Output Phase loss 6 0 5** (page 89) is active (**6 0 5 = 0 1**). To check the drive in a test or maintenance environment without having to switch to a motor with the same rating as the drive (particularly useful in the case of high power drives), deactivate **Output Phase loss 6 0 5 (6 0 5 = 0 0)**.
- In Motor control menu **3 0 0** - set **Motor control type 3 0 9** (page 52) to **0 3**.

NOTICE

MOTOR OVERHEATING

Install external thermal monitoring equipment if a motor with a nominal current of less than 20% of the nominal current of the drive is connected.

Failure to follow these instructions can result in equipment damage.

Drive ratings

Three-phase supply voltage: 380V...460V 50/60 Hz

For three Phase Output 380V...460V motors

Motor Power indicated on plate (1)	Line supply (input)				Drive (output)			Reference	Size
	Maximum line current (2)		Apparent power	Power dissipated at nominal current	Nominal Current In	Max. transient current for			
	at 380 V	at 460 V						60 s	2 s
kW	A	A	kVA	W	A	A	A		
0.37	2.1	1.8	1.4	19.6	1.5	2.3	3.0	ATV310H037N4	Size 1
0.75	3.5	3.1	2.5	28.8	2.3	3.5	4.6	ATV310H075N4	Size 1
1.5	6.5	5.4	4.3	51.0	4.1	6.2	8.2	ATV310HU15N4	Size 2
2.2	8.8	7.2	5.7	65.5	5.5	8.3	11.0	ATV310HU22N4	Size 2
3	11.1	9.2	7.3	80.2	7.1	10.7	14.2	ATV310HU30N4	Size 3
4	13.7	11.4	9.1	102.7	9.5	14.3	19.0	ATV310HU40N4	Size 3
5.5	21.3	14.3	11.4	141.5	12.6	18.9	25.2	ATV310HU55N4	Size 3
7.5	26.6	22.4	17.8	203.9	17	25.5	34.0	ATV310HU75N4	Size 4
11	36.1	30.4	24.2	294.7	24	36.0	48.0	ATV310HD11N4	Size 4

(1) These power ratings are for a Switching frequency range of 4 kHz, in continuous operation. The Switching frequency range is adjustable from 2 to 12 kHz.

Above 4 kHz, the drive will reduce the Switching frequency range if an excessive temperature rise occurs. Derating should be applied to the nominal drive current if continuous operation above 4 kHz is required:

- 10% derating for 8 kHz
- 20% derating for 12 kHz

(2) Line current network requirements:

* ≤ 4kW, network short circuit current $I_{sc} \leq 5kA$

* > 4kW, network short circuit current $I_{sc} \leq 22kA$

NOTICE

RISK OF DAMAGE TO THE DRIVE

The drive will be damaged if it operates above the nominal current (I_n) for an extended period of time.

Operating time should not exceed 60 s at $1.5 \times I_n$, or 2 s at $2 \times I_n$.

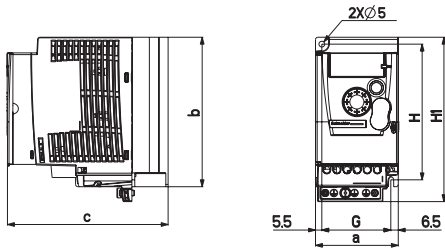
Failure to follow these instructions can result in equipment damage.

Circuit breaker and mains contactor selection according to the Drive

Drive	Circuit-breaker	Contactor	Rated current
ATV310H037N4●	GV2ME07C	LC1-D09●●●●N	2.5 A
ATV310H075N4●	GV2ME08C	LC1-D09●●●●N	4 A
ATV310HU15N4●	GV2ME14C	LC1-D09●●●●N	10 A
ATV310HU22N4●	GV2ME14C	LC1-D09●●●●N	10 A
ATV310HU30N4●	GV2ME16C	LC1-D09●●●●N	14 A
ATV310HU40N4●	GV2ME16C	LC1-D09●●●●N	14 A
ATV310HU55N4●	GV2ME22C	LC1-D09●●●●N	25 A
ATV310HU75N4●	GV2ME32C	LC1-D18●●●●N	32 A
ATV310HD11N4●	NCS100S340MA	LC1-D25●●●●N	40 A

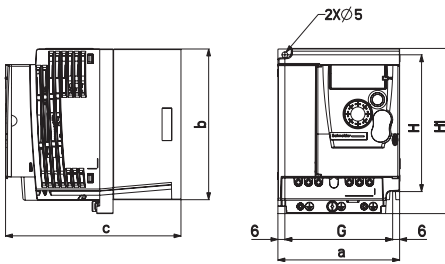
Dimensions and weights

ATV310H037N4, ATV310H075N4



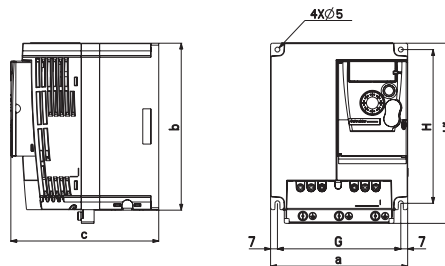
ATV310H	a mm (in.)	b mm (in.)	c mm (in.)	G mm (in.)	H mm (in.)	H1 mm (in.)	Ø mm (in.)	For screws	Weight kg (lb)
037N4	72 (2.83)	130 (5.12)	130 (5.12)	60 (2.36)	118 (4.65)	143 (5.63)	5 (0.20)	M4	0.8 (1.8)
075N4	72 (2.83)	130 (5.12)	140 (5.51)	60 (2.36)	118 (4.65)	143 (5.63)	5 (0.20)	M4	0.8 (1.8)

ATV310HU15N4, ATV310HU22N4



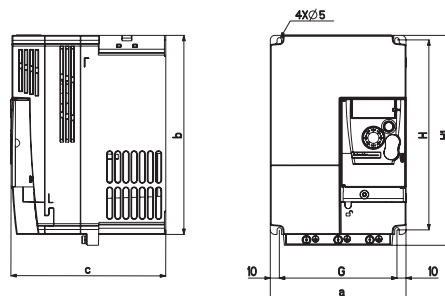
ATV310H	a mm (in.)	b mm (in.)	c mm (in.)	G mm (in.)	H mm (in.)	H1 mm (in.)	Ø mm (in.)	For screws	Weight kg (lb)
U15N4	105 (4.13)	130 (5.12)	151 (5.94)	93 (3.66)	118 (4.65)	143 (5.63)	5 (0.20)	M4	1.1 (2.43)
U22N4	105 (4.13)	130 (5.12)	151 (5.94)	93 (3.66)	118 (4.65)	143 (5.63)	5 (0.20)	M4	1.1 (2.43)

ATV310HU30N4, ATV310HU40N4, ATV310HU55N4



ATV310H	a mm (in.)	b mm (in.)	c mm (in.)	G mm (in.)	H mm (in.)	H1 mm (in.)	Ø mm (in.)	For screws	Weight kg (lb)
U30N4	140 (5.51)	171 (6.73)	151 (5.94)	126 (4.96)	157 (6.18)	184 (7.24)	5 (0.20)	M4	1.8 (3.97)
U40N4	140 (5.51)	171 (6.73)	151 (5.94)	126 (4.96)	157 (6.18)	184 (7.24)	5 (0.20)	M4	1.8 (3.97)
U55N4	140 (5.51)	171 (6.73)	151 (5.94)	126 (4.96)	157 (6.18)	184 (7.24)	5 (0.20)	M4	1.8 (3.97)

ATV310HU75N4, ATV310HD11N4



ATV310H	a mm (in.)	b mm (in.)	c mm (in.)	G mm (in.)	H mm (in.)	H1 mm (in.)	Ø mm (in.)	For screws	Weight kg (lb)
U75N4	150 (5.91)	220 (8.66)	171 (6.73)	130 (5.12)	210 (8.27)	232 (9.13)	5 (0.20)	M4	3.7 (8.16)
D11N4	150 (5.91)	220 (8.66)	171 (6.73)	130 (5.12)	210 (8.27)	232 (9.13)	5 (0.20)	M4	3.7 (8.16)

Mounting

Mounting

DANGER

HAZARD OF ELECTRIC SHOCK, EXPLOSION, OR ARC FLASH

- The drive panel must be properly grounded before power is applied.
- Use the provided ground connecting point as shown in the figure below.

Failure to follow these instructions will result in death or serious injury.

DANGER

ATV310H●●●N4 - GROUND CONTINUITY HAZARD

An anodized heatsink can create an insulation barrier to the mounting surface. Ensure that you follow the recommended grounding connections.

Failure to follow these instructions will result in death or serious injury.

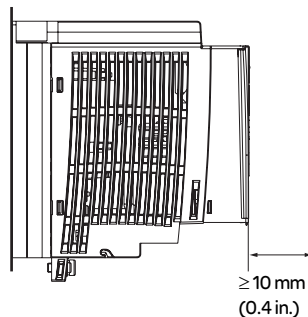
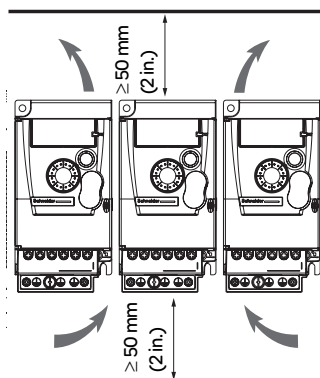
DANGER

ELECTRIC SHOCK CAUSED BY FOREIGN OBJECTS OR DAMAGE

Conductive foreign objects in the product or damage may cause parasitic voltage.

- Do not use damaged products.
- Keep foreign objects such as chips, screws or wire clippings from getting into the product.

Failure to follow these instructions will result in death or serious injury.



Install the drive vertically, at $\pm 10^\circ$.

Do not place it close to heating elements.

Leave sufficient free space to ensure that the air required for cooling purposes can circulate from the bottom to the top of the drive.

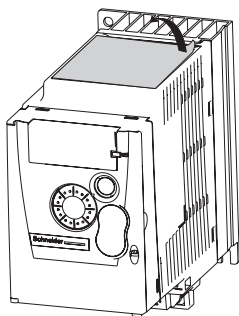
Free space in front of unit: 10 mm (0.4 in.) minimum.

When IP20 protection is adequate, we recommend that the vent cover(s) on the top of the drive be removed, as shown below.

We recommend that the drive is installed on a dissipative surface.

Drive installation should employ fastening washers and screws in combination.

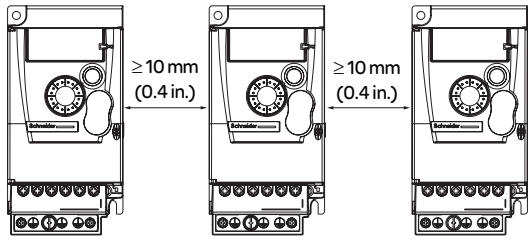
Removing the vent cover



Mounting

Mounting types

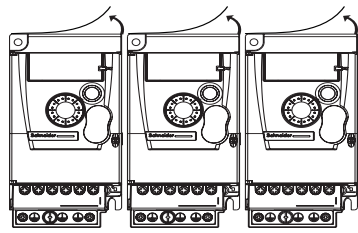
Type A mounting



Free space ≥ 10 mm (0.4 in.) on each side, with vent cover fitted. Mounting type A is suitable for drive operation at surrounding air temperatures less than or equal to 55°C.

When temperature exceeds 55°C, the top vent cover should be removed to ensure cooling.

Type B mounting



Drives mounted side-by-side with vent covers removed. Mounting type B is suitable for drive operation at surrounding air temperatures less than or equal to 55°C.

With these types of mounting, drives with a Switching frequency range of 4 kHz can be used up to an ambient temperature of 55°C.

At ambient temperatures between +55°C and +65°C:

- Remove top safeguard covers on drives
- Derate current by 2.2% for every 1°C of temperature rise
- Switching frequency range will adjust according to the internal temperature of the drive

General instructions

DANGER

HAZARD OF FIRE OR ELECTRIC SHOCK

- Wire cross sections and tightening torques must comply with the specifications provided in this document
- Do not use multi-conductor cables without cable lugs for any connection with a voltage higher than 25 Vac.

Failure to follow these instructions will result in death or serious injury.

Keep power cables separate from devices containing circuits with low-level signals (detectors, PLCs, measuring apparatus, video, telephone). Always cross control and power cables at 90° if possible.

Power and circuit protection

Adhere to wire size recommendations contained in local codes and standards.

Before wiring power terminals, connect the ground terminal to the grounding screws located below the output terminals.

The drive must be grounded in accordance with the applicable safety standards.

When upstream protection by means of a residual current device is required by the installation standards, a type A circuit breaker should be used for single-phase drives and type B for 3-phase drives. Choose a suitable model incorporating:

- High frequency current filtering
- A time delay which prevents tripping caused by the load from stray capacitance on power-up. The time delay is not possible for 30mA devices.

In this case, choose devices with high interference immunity, such as RCDs with SI type leakage protection.

If the installation includes several drives, provide one "residual current device" per drive.

WARNING

INSUFFICIENT PROTECTION AGAINST OVERCURRENTS

- Properly rated overcurrent protective devices must be used.
- Use the circuit breakers specified in the "Drive ratings" chapter.
- Do not connect the product to a supply mains whose network short-circuit current (ICR) exceeds the permissible value specified in the "Drive ratings" chapter.

Failure to follow these instructions can result in death, serious injury or equipment damage.

Control

For control and speed reference circuits, we recommend using shielded twisted cables with a pitch of between 25 and 50 mm (1 and 2 in.). Connect the shielding to ground.

WARNING

UNINTENDED BEHAVIOR OF INPUTS AND OUTPUTS

The functions of the inputs and outputs depend on the selected operating mode and the settings of the corresponding parameters.

- Verify that the wiring is appropriate for the settings.
- Only start the system if there are no persons or obstructions in the zone of operation.
- When commissioning, carefully run tests for all operating states and potential error situations.

Failure to follow these instructions can result in death, serious injury or equipment damage.

Length of motor cables

Please use output filters for shielded motor cable lengths longer than 25 m (82 ft) and unshielded cables longer than 50 m (164 ft). For accessory part numbers, please refer to the catalogue.

Wiring

Equipment Grounding

Ground the drive according to local and national code requirements. A minimum wire size of 10 mm² may be required to meet standards limiting leakage current.

⚠ ⚠ DANGER

ELECTRIC SHOCK CAUSED BY INSUFFICIENT GROUNDING

Insufficient grounding causes the hazard of electric shocks.

- Ground the drive system before applying voltage.
- Do not use conduits as protective ground conductors; use a protective ground conductor inside the conduit.
- The cross section of the protective ground conductor must comply with the applicable standards.
- Do not consider cable shields to be protective ground conductors.

Failure to follow these instructions will result in death or serious injury.

⚠ ⚠ DANGER

ATV310H●●●N4 - GROUND CONTINUITY HAZARD

An anodized heatsink can create an insulation barrier to the mounting surface. Ensure that you follow the recommended grounding connections.

Failure to follow these instructions will result in death or serious injury.

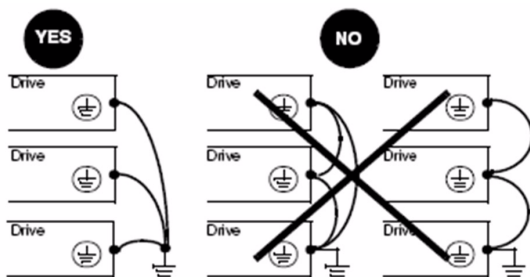
⚠ ⚠ DANGER

ELECTRIC SHOCK CAUSED BY INSUFFICIENT GROUNDING

This product has an increased leakage current > 3.5 mA.

- Use a protective ground conductor with at least 10 mm² (AWG 6) or two protective ground conductors with the cross section of the conductors supplying the power terminals.
- Verify compliance with all local and national electrical code requirements as well as all other applicable regulations with respect to grounding of all equipment.

Failure to follow these instructions will result in death or serious injury.



- Ensure that the resistance of the ground is one ohm or less.
- When grounding several drives, you must connect each one directly, as shown in the figure to the left.
- Do not loop the ground cables or connect them in series.

NOTICE

DESTRUCTION DUE TO INCORRECT MAINS VOLTAGE

Before switching on and configuring the product, verify that it is approved for the mains voltage.

Failure to follow these instructions can result in equipment damage.

WARNING

INSUFFICIENT PROTECTION AGAINST OVERCURRENTS

- Properly rated overcurrent protective devices must be used.
- Do not connect the product to a supply mains whose short-circuit current rating (ICR) exceeds the permissible value (1).

Failure to follow these instructions can result in death, serious injury or equipment damage.

(1) the permissible value of the drive short-circuit current rating is 5kA for product up to 4kW and 22kA above 4kW.

DANGER

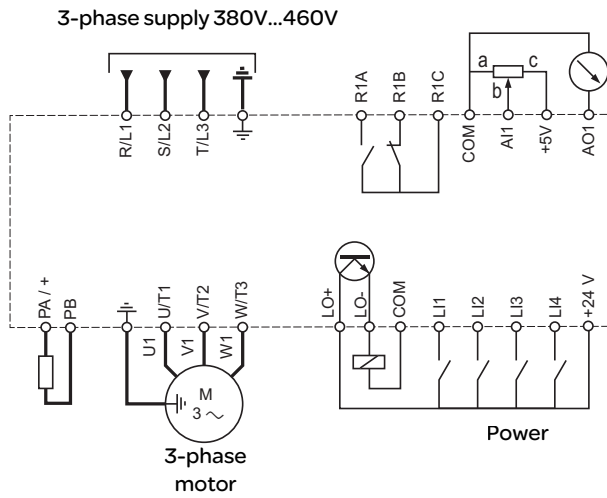
HAZARD OF FIRE OR ELECTRIC SHOCK

For drives \leq 4kW, the length of stripped part of wires connecting motors and drives and connecting to brake resistor should not exceed 10 mm (0.4 in.).

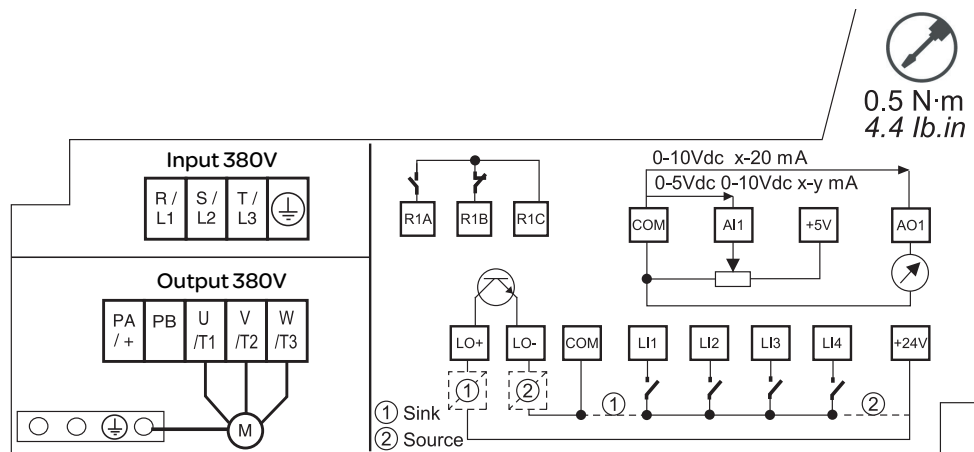
Failure to follow these instructions will result in death or serious injury.

Wiring

General wiring diagram



Wiring label



Power terminals

⚡ ⚠ DANGER

HAZARD OF ELECTRIC SHOCK, EXPLOSION OR ARC FLASH

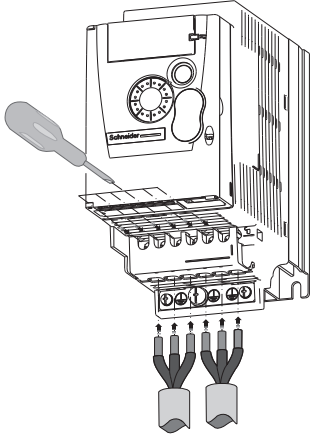
Read and understand the instructions in "Before your begin" chapter before performing any procedure in this chapter.

Failure to follow these instructions will result in death or serious injury.

The incoming line power terminals and output terminals to the motor are located at the bottom of the drive. The power terminals can be accessed without opening the wiring trap if you use stripped wire cables.

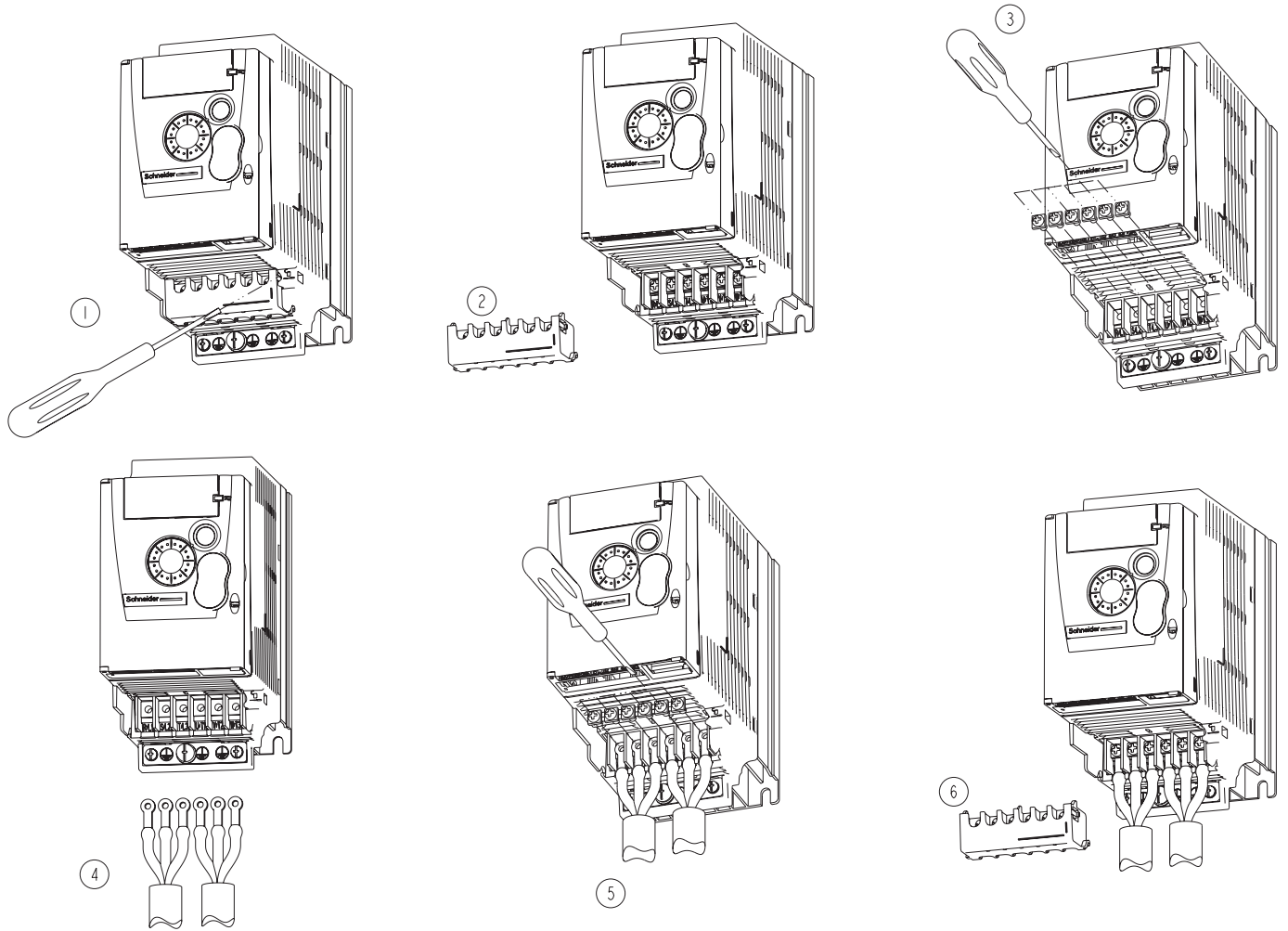
Access to the power terminals

Access to the terminals if you use stripped wire cables



Power terminals

Access to the terminals if you use ring terminals

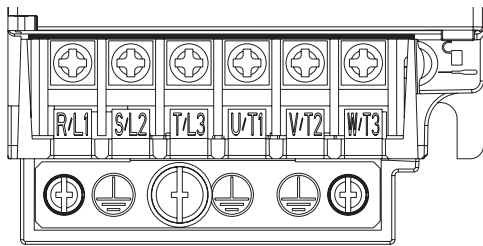


Characteristics and functions of power terminals

Terminal	Function	For ATV310
\perp	Ground terminal	All ratings
R/L1 - S/L2 - T/L3	Power input terminal	All ratings
PA/+	Brake resistor terminal (DC Bus + output)	ATV310HU15N4...ATV310HD11N4
PB	Brake resistor terminal	ATV310HU15N4...ATV310HD11N4
U/T1 - V/T2 - W/T3	Motor wiring terminal	All ratings

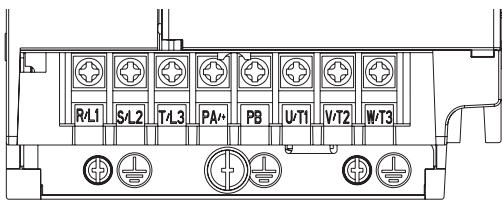
Power terminals

Arrangement of the power terminals



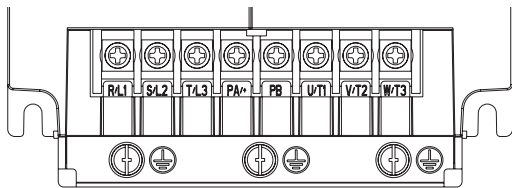
R/L1	S/L2	T/L3	U/T1	V/T2	W/T3
------	------	------	------	------	------

ATV310H	Applicable wire size (1) mm ² (AWG)	Recommended wire size (2) mm ² (AWG)	Tightening torque (3) N·m (lb.in)
037N4 075N4	1.5-2.5 (16-14)	2.5 (14)	0.8-1 (7.1 to 8.9)



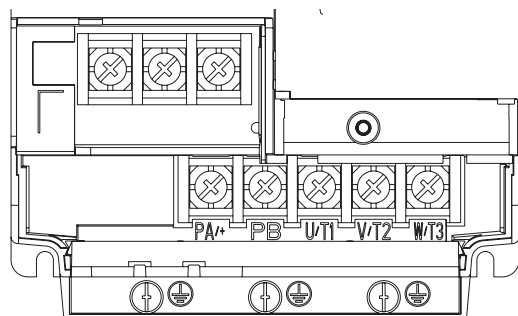
R/L1	S/L2	T/L3	PA+	PB	U/T1	V/T2	W/T3
------	------	------	-----	----	------	------	------

ATV310H	Applicable wire size (1) mm ² (AWG)	Recommended wire size (2) mm ² (AWG)	Tightening torque (3) N·m (lb.in)
U15N4 U22N4	1.5-2.5 (16-14)	2.5 (14)	0.8-1 (7.1 to 8.9)



R/L1	S/L2	T/L3	PA+	PB	U/T1	V/T2	W/T3
------	------	------	-----	----	------	------	------

ATV310H	Applicable wire size (1) mm ² (AWG)	Recommended wire size (2) mm ² (AWG)	Tightening torque (3) N·m (lb.in)
U30N4 U40N4 U55N4	1.5-4 (16-12) 2.5-4 (14-12) 4 (12)	2.5 (14) 4 (12) 4 (12)	1.2-1.4 (10.6 to 12.4)



R/L1	S/L2	T/L3	PA+	PB	U/T1	V/T2	W/T3
------	------	------	-----	----	------	------	------

ATV310H	Applicable wire size (1) mm ² (AWG)	Recommended wire size (2) mm ² (AWG)	Tightening torque (3) N·m (lb.in)
U75N4 D11N4	6-10 (10-7) 10 (7)	10 (7) 10 (7)	2.2-2.4 (19.5 to 21.2)

- (1) The value in bold corresponds to the minimum wire gauge to permit secureness.
 (2) 70°C copper cable (minimum wire size for rated use).
 (3) Recommended to maximum value.

Recommended screwdriver(s)

For ≤5.5kW drive terminal wiring, a Phillips-head screwdriver PH1 (Φ4.5) is recommended.
 For 7.5kW and 11kW terminal wiring, a Phillips-head screwdriver PH2 (Φ6) is recommended.

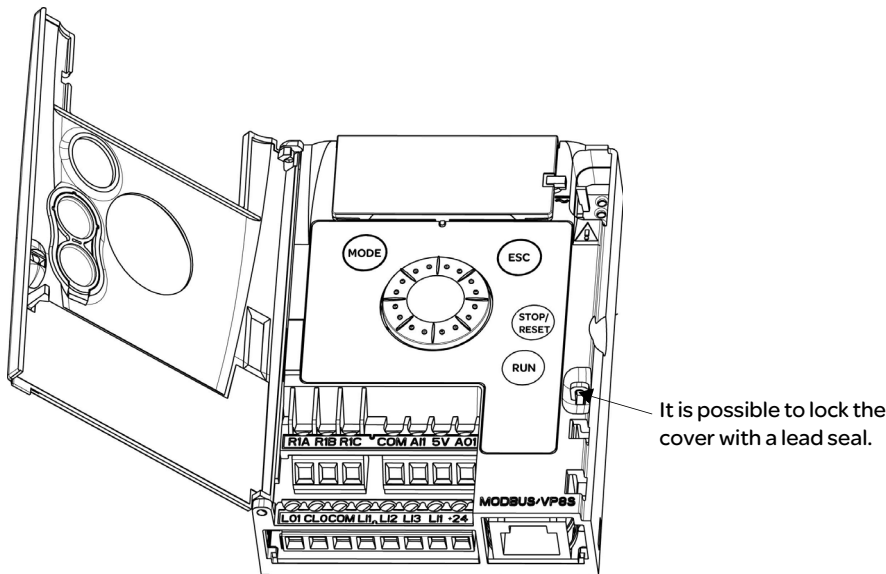
Control terminals

Keep the control circuits away from the power cables. For control and speed reference circuits, we recommend using shielded twisted cables with a pitch of between 25 and 50mm (1 and 2 in.). Connect the shield to ground as outlined on page [24](#).

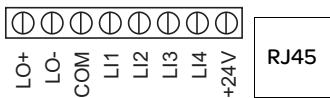
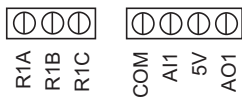
Access to the control terminals

To access the control terminals, open the cover.

Note: For information regarding HMI button functions, see "HMI description" on page [28](#).



Arrangement of control terminals



- R1A Normally open (NO) contact of the relay
- R1B Normally closed (NC) contact of the relay
- R1C Common pin of the relay
- COM COMmon of analog and logic I/Os
- A1 Analog Input
- 5V +5VDC supply provided by the drive
- AO1 Analog Output
- LO+ Logic Output (collector)
- LO- Common of the logic Output (emitter)
- COM COMmon of analog and logic I/Os
- L1 Logic Input
- L2 Logic Input
- L3 Logic Input
- L4 Logic Input
- +24V +24 VDC supply provided by the drive
- RJ45 Modbus network or remote display panel interface.

ATV310 Control terminals	Applicable wire size (1) mm ² (AWG)	Tightening torque (2) N·m (lb.in)
R1A, R1B, R1C	0.75 to 1.5 (18 to 16)	0.5 to 0.6 (4.4 to 5.3)
Other terminals	0.14 to 1.5 (26 to 16)	

(1) The value in bold corresponds to the minimum wire gauge to permit secureness.

(2) Recommended to maximum value.

Recommended screwdriver(s)

Control terminal wiring requires a Phillips-head screwdriver PH0 (Φ3).

Control terminals

Characteristics and functions of the control terminals

Terminal	Function	Electrical characteristics
R1A	NO contact of the relay	Minimum switching capacity: • 5mA for 24 V --- Maximum switching capacity: • on inductive load ($\cos \varphi = 0.4$ and $L/R = 7$ ms): 2A for 250V \sim and 30V --- • on resistive load ($\cos \varphi = 1$ and $L/R = 0$): 3A for 250V \sim , 4A for 30V --- • response time: 30ms maximum.
R1B	NC contact of the relay	
R1C	Common pin of the relay	
COM	Common of analog and logic I/Os	
AI1	Voltage or current analog input	• resolution: 10 bits • precision: $\pm 1\%$ at 25°C (77°F) • linearity: $\pm 0.3\%$ (of full scale) • sampling time: 20 ms \pm 1 ms Analog voltage input 0 to +5 V or 0 to +10 V (maximum voltage 30 V) impedance: 30 k Ω Analog current input x to y mA, impedance: 250 Ω
5V	Power supply for reference potentiometer	• precision: $\pm 5\%$ • maximum current: 10 mA
AO1	Voltage or current analog output	• resolution: 8 bits • precision: $\pm 1\%$ at 25°C (77°F) • linearity: $\pm 0.3\%$ (of full scale) • sampling time: 4 ms (max. 7 ms) Analog voltage output: 0 to +10 V (maximum voltage +1%) • minimum output impedance: 470 Ω Analog current output: x to 20 mA • maximum output impedance: 800 Ω
LO+	Logic output	• voltage: 24 V (maximum 30 V) • impedance: 1 k Ω , maximum 10 mA (100 mA in open collector) • linearity: $\pm 1\%$ • sampling time: 20 ms \pm 1 ms.
LO-	Common of the logic output (emitter)	
L1 L2 L3 L4	Logic inputs	Programmable logic inputs • +24 VDC power supply (maximum 30 V) • impedance: 3.5 k Ω • state: 0 if < 5 V, state 1 if > 11 V in positive logic • state: 1 if < 10 V, state 0 if > 16 V or switched off (not connected) in negative logic • sampling time: < 20 ms \pm 1 ms.
+24V	+24 VDC supply provided by the drive	+24 VDC -15% +20% protected against short-circuits and overloads. Maximum customer current available: 100 mA

Control terminals

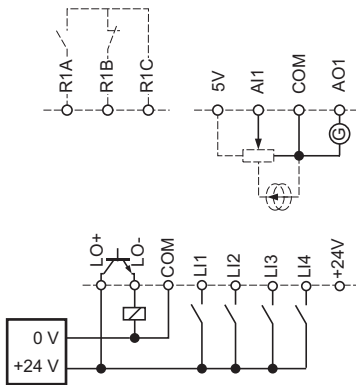
Control connection diagrams

Logic inputs type 203 parameter (page 47) is used to adapt the operation of the logic inputs to the technology of the programmable controller outputs.

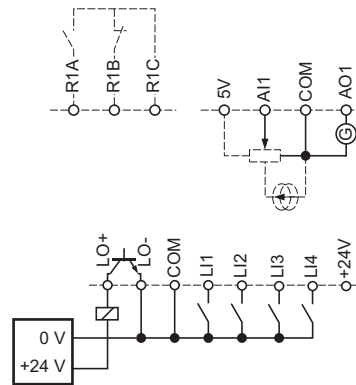
- Set the parameter to 00 for Source operation.
- Set the parameter to 01 for internal Sink operation.
- Set the parameters to 02 for external Sink operation.

Note: The modification will be taken into account only at the next control power-on.

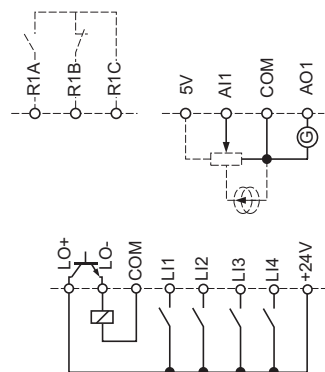
Source - using external supply



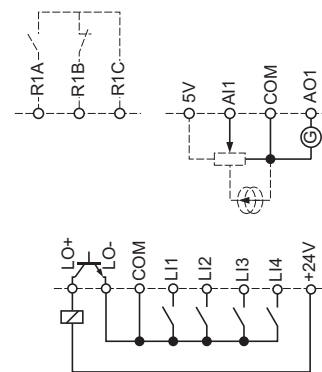
Sink - using external supply



Source - using internal supply



Sink - using internal supply



⚠ WARNING

UNANTICIPATED EQUIPMENT OPERATION

- If the function Logic input type 203 is set to "01" or "02", do not connect the "0 V" terminal to ground or to protective ground.
- Verify that accidental grounding of digital inputs configured for sink logic, caused, for example, by damage to the signal cables, cannot occur.
- Follow all applicable standards and directives such as NFPA 79 and EN 60204 for proper control circuit grounding practices.

Failure to follow these instructions can result in death, serious injury or equipment damage.

⚠ WARNING

UNANTICIPATED EQUIPMENT OPERATION

- Do not use a PLC to command the logic input of the drive in sink mode.
- If this behaviour is required, contact Schneider Office for additional information.

Failure to follow these instructions can result in death, serious injury or equipment damage.

Electromagnetic Compatibility

Electromagnetic Compatibility (EMC), Wiring

EMC requirements for the control cabinet

EMC measures	Objective
Use mounting plates with good electrical conductivity, connect large surface areas of metal parts, remove paint from contact areas.	Good conductivity due to large surface contact.
Ground the control cabinet, the control cabinet door and the mounting plate with ground straps or ground wires. The conductor cross section must be at least 10 mm ² (AWG 8).	Reduces emissions.
Fit switching devices such as power contactors, relays or solenoid valves with interference suppression units or arc suppressors (for example, diodes, varistors, RC circuits).	Reduces mutual interference.
Install power components and control components separately.	

Shielded cables

EMC measures	Objective
Connect large surface areas of cable shields, use cable clamps and ground straps.	Reduces emissions.
Use cable clamps to connect a large surface area of the shields of all shielded cables to the mounting plate at the control cabinet entry.	
Ground shields of digital signal wires at both ends by connecting them to a large surface area or via conductive connector housings	Reduces interference affecting the signal wires, reduces emissions
Ground the shields of analog signal wires directly at the device (signal input); insulate the shield at the other cable end or ground it via a capacitor (for example, 10 nF, 100 V or higher).	Reduces ground loops due to low-frequency interference.
Use only shielded motor cables with copper braid and a coverage of at least 85%, ground a large surface area of the shield at both ends.	Diverts interference currents in a controlled way, reduces emissions.

Cable Installation

EMC measures	Objective
Do not route fieldbus cables and signal wires in a single cable duct together with lines with DC and AC voltages of more than 60 V. (Fieldbus cables, signal lines and analog lines may be in the same cable duct) Recommendation: Use separate cable ducts at least 20 cm apart.	Reduces mutual interference.
Keep cables as short as possible. Do not install unnecessary cable loops, use short cables from the central grounding point in the control cabinet to the external ground connection.	Reduces capacitive and inductive interference.
Use equipotential bonding conductors in the following cases: wide-area installations, different voltage supplies and installation across several buildings.	Reduces current in the cable shield, reduces emissions.
Use fine stranded equipotential bonding conductors.	Diverts high-frequency interference currents
If motor and machine are not conductively connected, for example by an insulated flange or a connection without surface contact, you must ground the motor with a ground strap or a ground wire. The conductor cross section must be at least 10 mm ² (AWG 6).	Reduces emissions, increases immunity.
Use twisted pair for the DC supply. For digital and analog inputs use shielded twisted cables with a pitch of between 25...50 mm (1...2 in).	Reduces interference affecting the signal cables, reduces emissions.

Power Supply

EMC measures	Objective
Operate product on mains with grounded neutral point.	Enables effectiveness of mains filter.
Surge arrester if there is a risk of overvoltage.	Reduces the risk of damage caused by overvoltage.

Check list Before Switching On

Mechanical Installation

Verify the mechanical installation of the entire drive system:

Step	Action	✓
1	Does the installation meet the specified distance requirements?	
2	Did you tighten all fastening screws with the specified tightening torque?	

Electrical installation

Verify the electrical connections and the cabling:

Step	Action	✓
1	Did you connect all protective ground conductors?	
2	Does circuit breaker has the correct rating refer to page (tableau ajouté en Safety page 10, dans les drive ratings).	
3	Did you connect or insulate all wires at the cable ends?	
4	Did you properly connect and install all cables and connectors?	
5	Do all plug-in terminals colors and markings correspond to the colors and marking of the control block?	
6	Did you properly connect the signal wires?	

Covers And Seals

Verify that all covers and seals of the control cabinet are properly installed to meet the required degree of protection.

Drive factory settings

The ATV310 is factory-set for the most common operating conditions (motor rating according to drive rating):

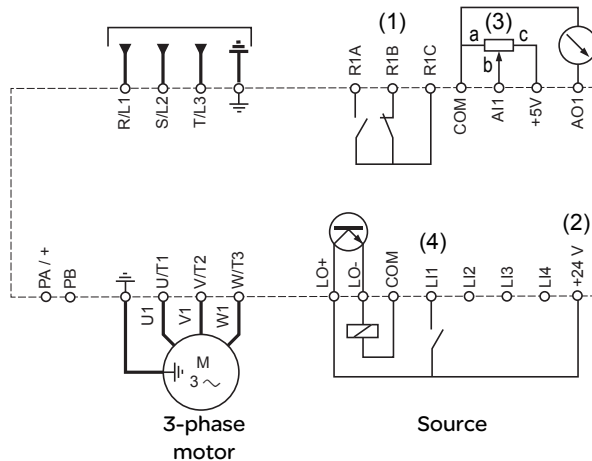
- Display: drive ready (- - 0 0) with motor stopped or motor frequency reference while running
- Automatic adaptation of the deceleration ramp in the event of overvoltage on braking
- No automatic restarting after a detected fault is cleared
- Logic inputs:
 - LI1: forward (2-wire transitional control)
 - LI2, LI3, LI4: no assignment
- Logic output: LO1: no assignment
- Analog input: AI1 (0 to + 5 V) speed reference
- Relay R1: fault as default setting. R1A opens and R1B closes when a fault is detected or no line voltage is present.
- Analog output AO1: no assignment

Code	Description	Value	Page
3 0 1	Standard motor frequency	50 Hz	52
3 0 4	Rated motor voltage	380V	52
5 0 1. 0	Acceleration	3 s	60
5 0 1. 1	Deceleration	3 s	60
5 1 2. 0	Low speed	0 Hz	84
5 1 2. 2	High speed	50 Hz	85
3 0 9	Motor control type	Standard U/F law	52
3 1 0	IR compensation	100%	53
6 0 4. 0	Motor thermal current	equal to nominal motor current (value determined by drive rating)	89
5 0 4. 1	Automatic DC injection current	0.7 x rated drive current, for 0.5 seconds.	63
3 1 5	Switching frequency	4 kHz	54

If the above values are compatible with the application, the drive can be used without changing the settings.

Drive factory wiring diagram

ATV310●●●●N4



(1) R1 relay contacts, for remote indication of the drive status.

(2) Internal + 24 V \equiv . If an external source is used (+ 30 V \equiv maximum), connect the 0 V of the source to the COM terminal, and do not use the + 24 V \equiv terminal on the drive.

(3) Reference potentiometer SZ1RV1202 (2.2 k Ω) or similar (10 k Ω maximum).

(4) Forward.

Basic functions

Status relay, unlocking

The R1 status relay is energized when the drive power is applied with no fault detected. It de-energizes in the event of a detected fault or when the drive power is removed.

The drive is reset after a detected fault:

- by switching off the drive until the display disappears completely, then switching on again.
- automatically when "automatic restart" function is enabled, [fault detection menu 6 0 0 -](#), [Automatic restart 6 0 2](#). [0](#) parameter (page 86) set to [0 1](#).
- via a logic input when this input is assigned to the "drive reset" function, [fault detection menu 6 0 0 -](#) menu, [Detected fault reset assignment 6 0 1](#) (page 86) set to L●H.
- by using the "run" key on the drive to reset section fault. See [Reset all previous detected faults via Run key 6 1 4](#) parameter (page 92).

Drive thermal detection

Thermal detection is provided by a built-in PTC probe in the power module.

Drive ventilation

Ratings up to 0.75 kW (1 HP) do not include a fan. Other ratings do contain a built-in cooling fan. There are two cooling fan run modes: in the first, the fan runs when drive is running; in the second, the fan runs when the drive thermal state requires ventilation. The fan runs only runs when the drive thermal state requires ventilation.

Motor thermal detection

Function:

Thermal detection by calculating the I^2t .

Note: The motor thermal state memo returns to zero when the drive power is cycled if [Motor thermal state memo 6 0 4](#). [3](#) parameter (page 89) is not set to [0 1](#).

NOTICE

MOTOR OVERHEATING

The motor thermal state is not saved when drive is switched off.

When the drive is switched on, it is not aware of the thermal state of the connected motor or motors.

To enable correct temperature monitoring of the motors, install an external temperature sensor for each motor.

Failure to follow these instructions can result in equipment damage.

NOTICE

MOTOR OVERHEATING

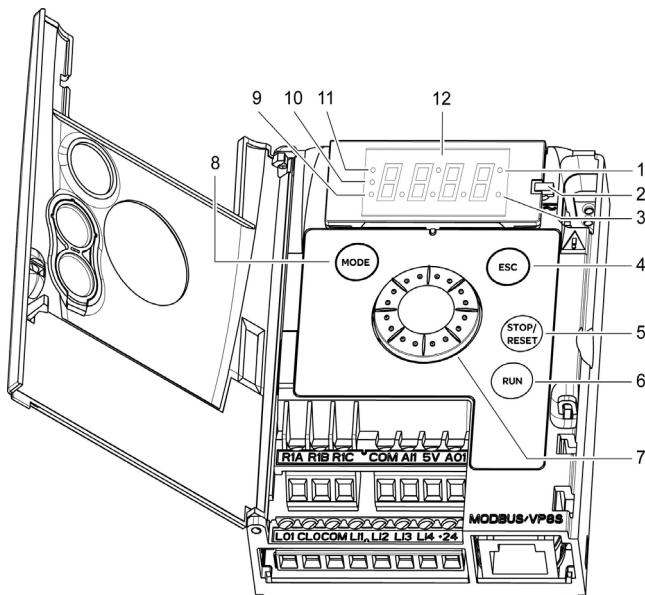
Install external thermal monitoring equipment under the following conditions:

- If a motor with a nominal current of less than 20% of the nominal current of the drive is connected.
- If you use the function Motor Switching.
- If several motors are connected to the same drive

Failure to follow these instructions can result in equipment damage.

HMI description

Functions of the display and keys



1. Value LED (a) (b)
2. Charge LED
3. Unit LED (c)
4. ESC button: Exits a menu or parameter, or aborts the displayed value to return to the previous value in the memory. In LOCAL configuration, a 2 s press on ESC button switches between the control/programming modes.
Note: In LOCAL configuration, the three Leds 9, 10, 11 are blinking simultaneously in programming mode and are working as a Led chaser in control mode.
5. STOP/RESET button: stops the motor (could be hidden by door if function disabled). **Important: See instructions for "RUN/STOP" cover removal.**
6. RUN button: Starts running in LOCAL configuration and in REMOTE configuration if the function is configured (could be hidden by door if function disabled).
7. Jog Dial
 - Acts as a potentiometer in local mode in LOCAL configuration and in REMOTE configuration if the function is configured
 - For navigation when turned clockwise or counterclockwise
 - And selection / validation when pushed
 This action is represented by the symbol on the right.
8. MODE button
 - Switches between the control/programming modes. A 3 s press on MODE button switches between the REMOTE/LOCAL configurations.
9. CONFIGURATION mode LED (b)
10. MONITORING mode LED
11. REFERENCE mode LED
12. Four "7-segment" displays

Note: In LOCAL configuration, the three Leds 9, 10, 11 are blinking simultaneously in programming mode and are working as a Led chaser in control mode.

- (a) If illuminated, indicates that a **value** is displayed, for example, **0.5** is displayed for "0.5".
- (b) When changing a value the Configuration mode LED and the value LED are on steady.
- (c) If illuminated, indicates that a **unit** is displayed, for example, AMP is displayed for "Amps".

⚠ WARNING

LOSS OF CONTROL

The function **Stop key priority 4 0 5** parameter disables the Stop keys of the drive and of the Remote Display Terminal if the setting of the parameter is **0 0**.

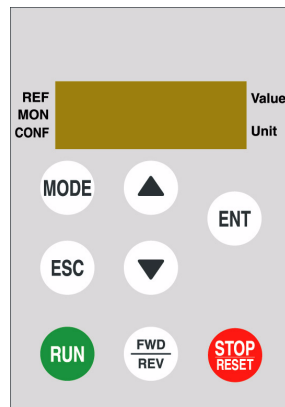
Only set this parameter to **0 0** if you have implemented appropriate alternative stop functions.

Failure to follow these instructions can result in death, serious injury or equipment damage.

Programming

Remote control

Remote operation and programming by HMI is possible using the optional display terminal part VW3A1006. The dimensions of the display terminal part are 70 mm (2.76 in) x 50 mm (2.76 in).



Note: Set the remote display terminal with:

- Modbus rate = 19.2 Kbps, (see [102](#), page [93](#))
- Modbus format = 8E1, 8 bit, even parity, 1 stop bit (see [103](#), page [93](#)).

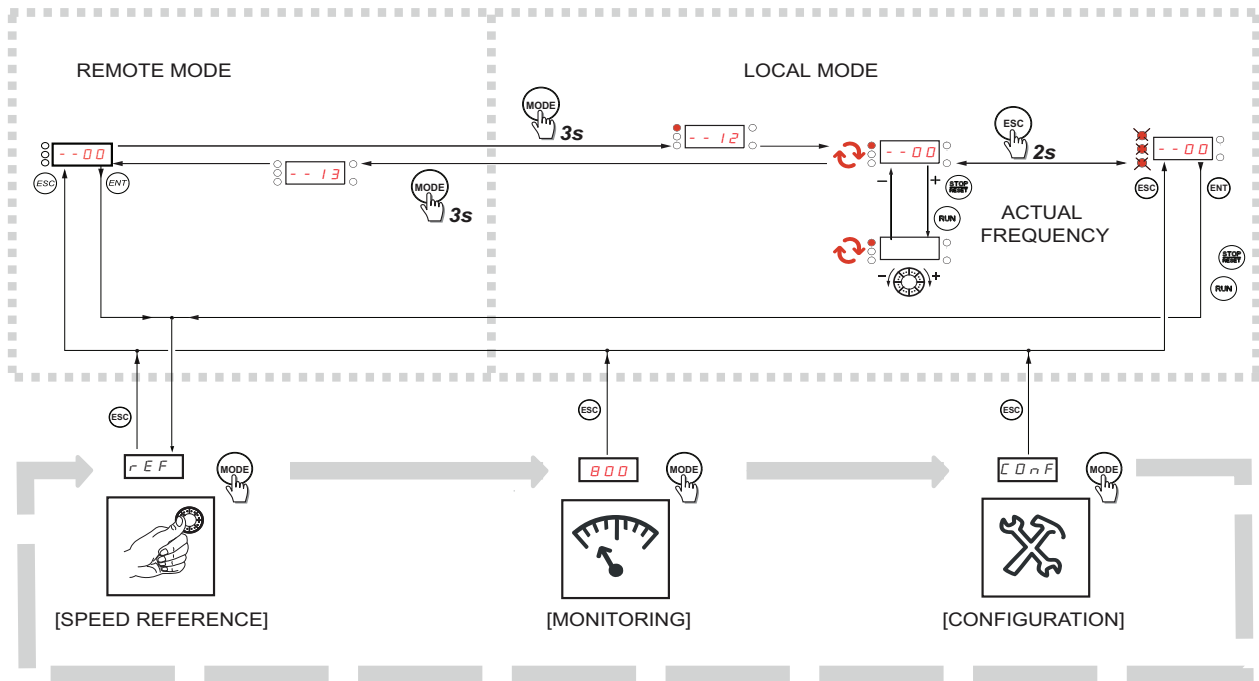
Programming

First power-up

At first power-up you are prompted to set **Standard motor frequency 300** (page 52). Next time power is applied **--00** appears. Operating mode selection is then possible using the MODE or JOG key as detailed below.

Menus structure

Access to menus and parameters is possible through the Reference (**rEF**) mode (page 35), Monitoring (**800-**) mode (page 35) and Configuration (**CDnF**) mode (page 41). Switching between these modes is possible at any time using the MODE key or Jog Dial on the keyboard. The first MODE key depression moves from current position to the top of the branch. A second depression switches to next mode.

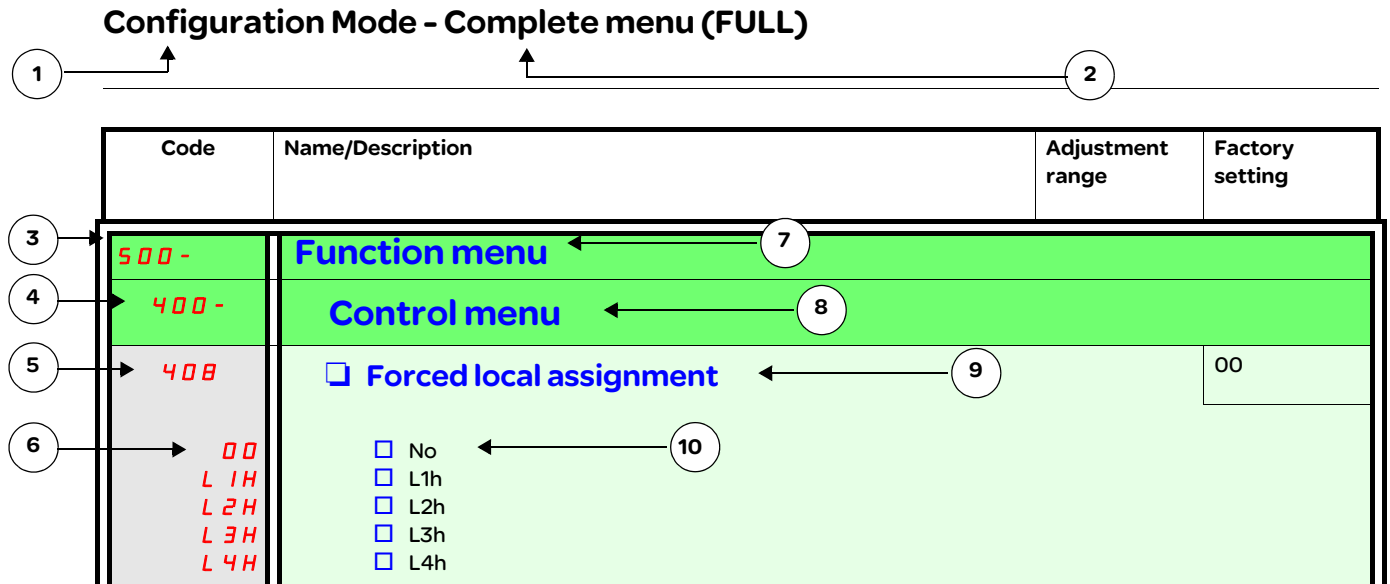


Structure of parameter tables

The mode, sectional, menu, sub-menu and parameter table structure is laid out below.

Note: Parameters containing the sign (C) in the code column can be modified with the drive running or stopped.

Example:



- | | |
|--|--|
| 1. Name of mode | 6. Value code |
| 2. Name of section, if any | 7. Name of menu |
| 3. Menu code on 4-digit 7-segment display, followed by a "-" | 8. Name of sub-menu |
| 4. Sub-menu code on 4-digit 7-segment display, if any | 9. Parameter description |
| 5. Parameter code | 10. Possible value(s) / state of parameter, if any |

Function compatibility table

	Preset speed (page 72)	PI regulator (page 66)	Jog operation (page 64)	Auto DC injection (page 63)	Catch on the fly (page 87)	Fast stop (page 62)	Freewheel (page 62)
Preset speed (page 72)			↑				
PI regulator (page 66)			●				
Jog operation (page 64)	↑	●		↑			
Auto DC injection (page 63)			↑				↑
Catch on the fly (page 87)							↑
Fast stop (page 62)							↑
Freewheel (page 62)				←	↑	←	

● Incompatible functions
 Compatible functions
 Not applicable

The function indicated by the arrow has priority over the other.

← ↑ Priority function (function which can be active at the same time)

Stop functions have priority over run commands.

Speed references via logic command have priority over analog references.

Reference Mode rEF

Use the reference mode to monitor and if local control is enabled ([Reference channel 1 401](#) page 58 = 183), adjust the actual reference value by rotating the jog dial.

When local control is enabled, the jog dial of the HMI acts as a potentiometer to change the reference value up and down within the limits preset by other parameters (512.0 and 512.2). There is no need to press the ENT key to confirm the change of the reference.

If local command mode is disabled, using [Command channel 1 407](#) page 59, only reference values and units are displayed. The value will be "read only" and cannot be modified by the jog dial (the reference is no longer given by the jog dial but from an AI or other source). The actual reference displayed determined by the choice made in [Reference channel 1 401](#) page 58.

Organization tree

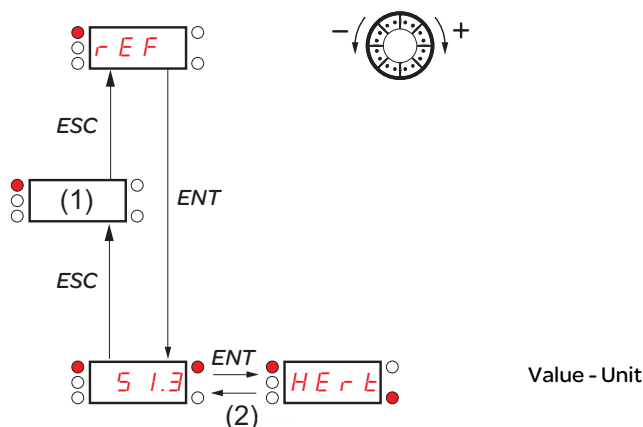
(1) Determined by active reference channel.

Possible values:

- 402
- 403
- 801
- 59.11
- 806

(2) 2s or ESC

Displayed parameter value and unit of the diagram are given as examples.



Code	Name/Description	Adjustment range	Factory setting
402 (1)	<input type="checkbox"/> External reference value Frequency reference visible if reference channel active is remote display. Reference channel 1 401 (page 58) set to 163. or Forced local reference 409 (page 59) set to 163. This parameter allows modification of the frequency reference with the jog dial. Visibility determined by drive settings.	-400 to +400 Hz	-
403 (1)	<input type="checkbox"/> Analog input virtual This parameter allows modification of the frequency reference by analog input. Reference channel 1 401 (page 58) set to 183 or Forced local reference 409 (page 59) set to 183 or PID manual reference 59.18 (page 68) set to 02. Visibility determined by drive settings.	0 to 100% of 512.2 parameter value	-
801 01 63 164 183	<input type="checkbox"/> Speed reference Actual frequency reference. This parameter is in read-only mode. Visibility determined by drive settings. <ul style="list-style-type: none"> <input type="checkbox"/> Analog input terminal <input type="checkbox"/> Remote display <input type="checkbox"/> Modbus <input type="checkbox"/> Integrated display with Jog dial 	512.0 parameter value - 512.2 parameter value	-
59.11 (1)	<input type="checkbox"/> Internal PID reference value This parameter allows modification of the PID internal reference with the jog dial. Visibility determined by drive settings.	0 to 100%	-
806	<input type="checkbox"/> PID reference value value This parameter is the PID reference value expressed as a %.	0 to 100%	-

(1) It is not necessary to press ENT key to confirm modification of the reference.

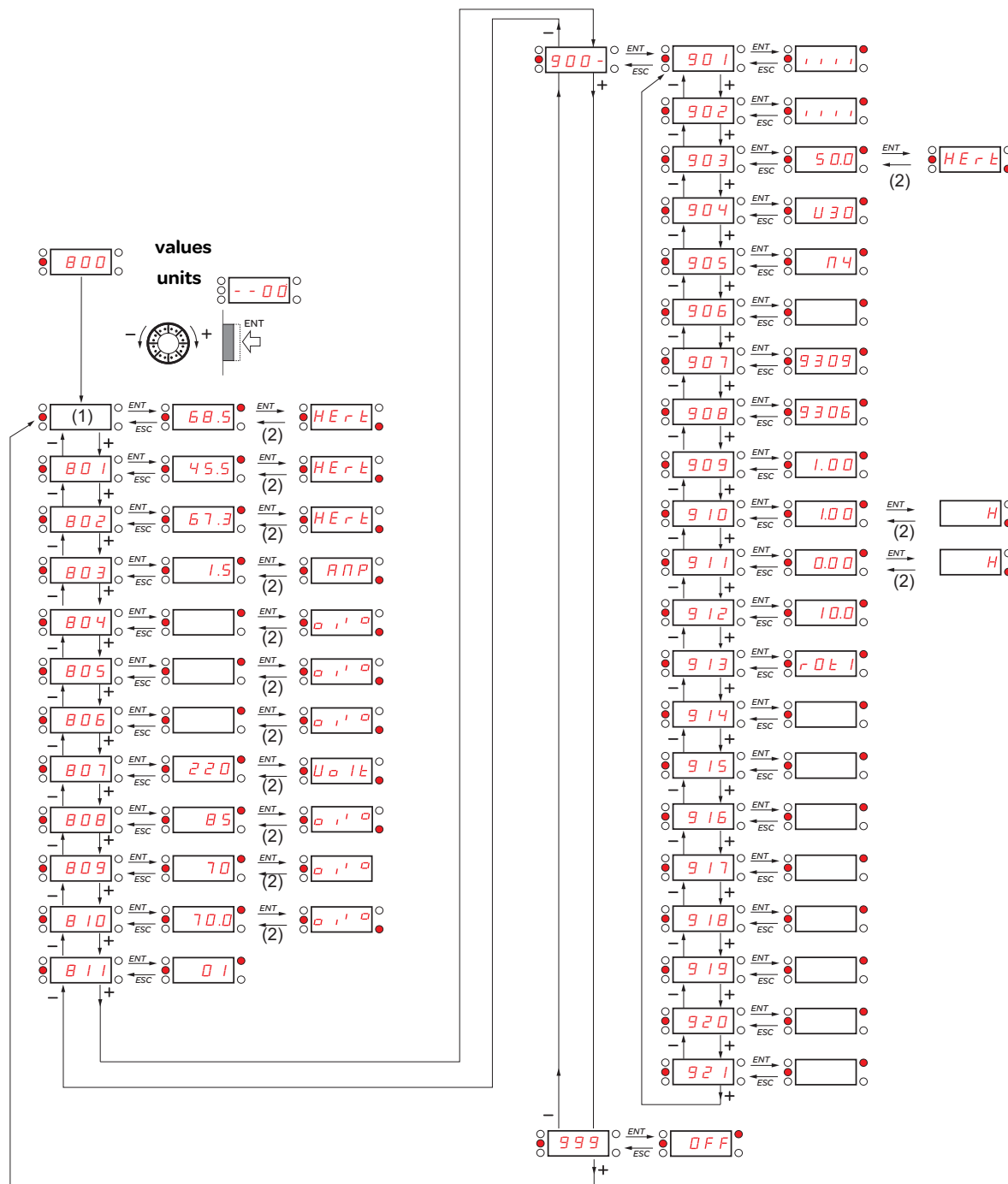
Parameter that can be modified during operation or when stopped.

Monitoring mode MO_n

When the drive is running, the value displayed is that of one of the monitoring parameters. The default value displayed is the motor **Output frequency 802** (page 35).

While the value of the desired new monitoring parameter is being displayed, press the jog dial button a second time to display the unit.

Organization tree



(1) Determined by active reference channel.

Possible values:

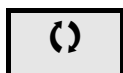
402
403

(2) 2s or ESC

Displayed parameter values and units of the diagram are given as examples.

Monitoring mode MOn

Code	Name/Description	Unit
402 ()	<input type="checkbox"/> External reference value External display terminal or local force mode configured. Forced local reference 409 (page 59) set to 163 and Forced local assignment 408 (page 59) is not 00. Displays the Actual speed reference coming from the remote display terminal. This value is not visible in factory setting.	Hz
403 ()	<input type="checkbox"/> Analog input virtual Embedded display terminal active or local force mode configured. Forced local reference 409 (page 59) set to 183 and Forced local assignment 408 (page 59) is not 00. Displays the Actual speed reference coming from the jog dial. This value is not visible in factory setting.	%
801	<input type="checkbox"/> Speed reference Actual frequency reference	Hz
802	<input type="checkbox"/> Output frequency This parameter provides the estimated motor speed. It corresponds to the estimated motor frequency (on the motor shaft). In Standard motor control type 03 (page 52), Output frequency 802 is equal to motor stator frequency. In motor control type 309 selection of high performance motor control type 00 (page 52), Output frequency 802 is equal to the frequency corresponding to estimated motor speed. Range: -400 to 400 Hz	Hz
803	<input type="checkbox"/> Motor current Estimation of the effective motor current (output of the drive) from phase current measurements with an accuracy of 5%. During DC injection, the current displayed is the maximum value of current injected in the motor.	A
804	<input type="checkbox"/> PID error Visible only if the PID function is configured [PID feedback assignment 59. 00 (page 66) set to 00]. See PID diagram on page 65.	%
805	<input type="checkbox"/> PID feedback Visible only if the PID function is configured [PID feedback assignment 59. 00 (page 66) set to 00]. See PID diagram on page 65.	%
806	<input type="checkbox"/> PID reference Visible only if the PID function is configured [PID feedback assignment 59. 00 (page 66) set to 00]. See PID diagram on page 65.	%
807	<input type="checkbox"/> Main voltage Line voltage from the point of view of the DC bus, motor running or stopped.	V
808	<input type="checkbox"/> Motor thermal state Display of the motor thermal state. Above 118%, drive displays (page 97) Motor overload F013 fault.	%
809	<input type="checkbox"/> Drive thermal state Display of the drive thermal state. Above 118%, drive displays (page 97) Drive overheat F011 fault.	%
810	<input type="checkbox"/> Output power The parameter displays the ratio between "estimated motor power (on the shaft) versus drive rating."	%

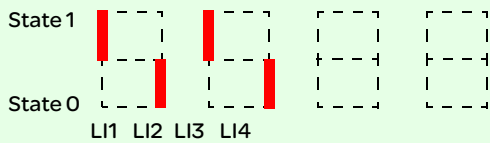
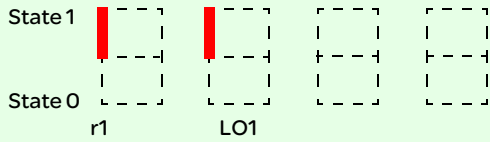


Parameter that can be modified during operation or when stopped.


Monitoring mode MOn

Code	Name/Description
B 1 1	<input type="checkbox"/> Product status
	<p>This parameter displays the state of the drive and motor.</p>
-- 00	<input type="checkbox"/> Drive ready
-- 01	<input type="checkbox"/> Drive running, the last 6-segment digit to the right of the code also indicates direction and speed
-- 02	<input type="checkbox"/> Acceleration, the last 6-segment digit to the right of the code also indicates direction and speed
-- 03	<input type="checkbox"/> Deceleration, the last 6-segment digit to the right of the code also indicates direction and speed
-- 04	<input type="checkbox"/> DC injection braking in progress
-- 05	<input type="checkbox"/> Current limitation state, 4-segment digit blinks
-- 06	<input type="checkbox"/> Freewheel stop control
-- 07	<input type="checkbox"/> Auto-adapted deceleration
-- 08	<input type="checkbox"/> Controlled stop on mains phase loss
-- 09	<input type="checkbox"/> Auto-tuning in progress
-- 10	<input type="checkbox"/> Fast stop state
-- 11	<input type="checkbox"/> No line power state. When the control part is energized via the RJ45 connector and there is no line voltage and no run order present.
-- 12	<input type="checkbox"/> Drive is running and using the Fall back speed
-- 13	<input type="checkbox"/> Remote configuration
-- 14	<input type="checkbox"/> Local configuration

Monitoring mode MOn

Code	Name/Description	Unit
900 -	Maintenance menu Parameters of 900- cannot be selected for monitoring.	
901	<input type="checkbox"/> State of logic inputs LI1 to LI4 Can be used to visualize the state of the 4 logic inputs.  Example above: LI1 and LI3 are at 1; LI2 and LI4 are at 0.	-
902	<input type="checkbox"/> State of the logic output LO1 and relay R1 Can be used to visualize the state of the logic output. 	-
903	<input type="checkbox"/> Display of high speed value Displays frequency corresponding to the high speed value. Range from Low speed 5 12. 0 (page 84) to Maximum frequency 308 (page 52). Visible only if 2 High speed assignment 5 12. 3 or 4 High speed assignment 5 12. 4 (page 85) is configured.	Hz
904	<input type="checkbox"/> Drive Power rating Indicates the drive power rating. This is part the of the drive reference. Refer to page 10 . Possible values: O37 = 0.37 kW O75 = 0.75 kW U15 = 1.5 kW U22 = 2.2 kW U30 = 3 kW U40 = 4 kW U55 = 5.5kW U75 = 7.5kW D11 = 11kW	-
905	<input type="checkbox"/> Drive voltage rating Indicates the Drive rate voltage. This is part of the drive reference, see page 10 . Possible values: N4= 360V~460V 3-phase in, 360V~460V 3-phase out	-
906	<input type="checkbox"/> Specific Product Number This parameter is used to identify the specific version of the product. Visible only if 906 is non-zero.	-
907	<input type="checkbox"/> Card 1 Software Version Application software version Example: 1105 for 1.1 ie 05 1 (version, major), 1 (version, minor), 05 (ie, evolution number)	-
908	<input type="checkbox"/> Card 2 Software Version Motor control software version Example: 1105 for 1.1 ie 05 1 (version, major), 1 (version, minor), 05 (ie, evolution number)	-

Monitoring mode MOn

Code	Name/Description	Unit												
900 -	Maintenance menu (continued)													
909	<input type="checkbox"/> Run elapsed time display Total time the motor has been powered up. Range: 0 to 65535 hours. Value displayed is as described in the table below. Parameter resettable by services. <table border="1" style="margin-left: 20px;"> <thead> <tr> <th>Hours</th> <th>Display</th> </tr> </thead> <tbody> <tr> <td>1</td> <td>0.01</td> </tr> <tr> <td>10</td> <td>0.10</td> </tr> <tr> <td>100</td> <td>1.00</td> </tr> <tr> <td>1000</td> <td>10.0</td> </tr> <tr> <td>10000</td> <td>100</td> </tr> </tbody> </table>	Hours	Display	1	0.01	10	0.10	100	1.00	1000	10.0	10000	100	0.01
Hours	Display													
1	0.01													
10	0.10													
100	1.00													
1000	10.0													
10000	100													
910	<input type="checkbox"/> Power On time display Total time the drive has been powered on. Range: 0 to 65535 hours. Value displayed is as described in the table above. Parameter resettable by services.	0.01												
911	<input type="checkbox"/> Fan time display Range: 0 to 65535 hours. Value displayed is as described in the table above. Parameter resettable by customer.	0.01												
912 	<input type="checkbox"/> Process elapsed time Range: 0 to 65535 hours. Value displayed is as described in the table above. Parameter resettable by customer.	0.01												
913 <i>r 0 t 0</i> <i>r 0 t 1</i> <i>r 1 t 0</i> <i>r 1 t 1</i>	<input type="checkbox"/> Modbus communication status <input type="checkbox"/> Modbus no reception, no transmission = communication idle <input type="checkbox"/> Modbus no reception, transmission <input type="checkbox"/> Modbus reception, no transmission <input type="checkbox"/> Modbus reception and transmission	-												
914	<input type="checkbox"/> Last fault 1 This parameter describes the Last fault.	-												

 Parameter that can be modified during operation or when stopped.

Code	Name/Description	Unit																														
900 -	Maintenance menu (continued)																															
915	<p><input type="checkbox"/> State of drive at fault 1</p> <p>This parameter describes the drive state at the moment of the first detected fault.</p> <table border="1"> <thead> <tr> <th>bit 0</th> <th>bit 1</th> <th>bit 2</th> <th>bit 3</th> <th>bit 4</th> </tr> </thead> <tbody> <tr> <td>ETA.1: Switched on</td> <td>ETA.5: Fast stop</td> <td>ETA.6: Switch on disabled</td> <td>Forced local enabled</td> <td>ETA.15: Motor rotation in forward direction (or stopped)</td> </tr> <tr> <th>bit 5</th> <th>bit 6</th> <th>bit 7</th> <th>bit 8</th> <th>bit 9</th> </tr> <tr> <td>ETI.4: Run order present</td> <td>ETI.5: DC injection running</td> <td>ETI.7: Motor thermal threshold reached</td> <td>ETI.8: Reserved</td> <td>ETI.9: Product in acceleration</td> </tr> <tr> <th>bit 10</th> <th>bit 11</th> <th>bit 12</th> <th>bit 13 - 14</th> <th>bit 15</th> </tr> <tr> <td>ETI.10: Product in deceleration</td> <td>ETI.11: Current limitation or torque limitation is running</td> <td>Fast stop in progress</td> <td> ETI.14= 0 + ETI.13=0: Drive controlled by terminal or local display terminal ETI.14= 0 + ETI.13=1: Drive controlled by remote display terminal ETI.14= 1 + ETI.13=0: Drive controlled by Modbus ETI.14= 1 + ETI.13=0: Reserved </td> <td>ETI.15: Reverse direction applied to the ramp</td> </tr> </tbody> </table>	bit 0	bit 1	bit 2	bit 3	bit 4	ETA.1: Switched on	ETA.5: Fast stop	ETA.6: Switch on disabled	Forced local enabled	ETA.15: Motor rotation in forward direction (or stopped)	bit 5	bit 6	bit 7	bit 8	bit 9	ETI.4: Run order present	ETI.5: DC injection running	ETI.7: Motor thermal threshold reached	ETI.8: Reserved	ETI.9: Product in acceleration	bit 10	bit 11	bit 12	bit 13 - 14	bit 15	ETI.10: Product in deceleration	ETI.11: Current limitation or torque limitation is running	Fast stop in progress	ETI.14= 0 + ETI.13=0: Drive controlled by terminal or local display terminal ETI.14= 0 + ETI.13=1: Drive controlled by remote display terminal ETI.14= 1 + ETI.13=0: Drive controlled by Modbus ETI.14= 1 + ETI.13=0: Reserved	ETI.15: Reverse direction applied to the ramp	-
bit 0	bit 1	bit 2	bit 3	bit 4																												
ETA.1: Switched on	ETA.5: Fast stop	ETA.6: Switch on disabled	Forced local enabled	ETA.15: Motor rotation in forward direction (or stopped)																												
bit 5	bit 6	bit 7	bit 8	bit 9																												
ETI.4: Run order present	ETI.5: DC injection running	ETI.7: Motor thermal threshold reached	ETI.8: Reserved	ETI.9: Product in acceleration																												
bit 10	bit 11	bit 12	bit 13 - 14	bit 15																												
ETI.10: Product in deceleration	ETI.11: Current limitation or torque limitation is running	Fast stop in progress	ETI.14= 0 + ETI.13=0: Drive controlled by terminal or local display terminal ETI.14= 0 + ETI.13=1: Drive controlled by remote display terminal ETI.14= 1 + ETI.13=0: Drive controlled by Modbus ETI.14= 1 + ETI.13=0: Reserved	ETI.15: Reverse direction applied to the ramp																												
916	<p><input type="checkbox"/> Last fault 2</p> <p>This parameter describes the second detected fault.</p>	-																														
917	<p><input type="checkbox"/> State of drive at fault 2</p> <p>This parameter describes the drive state at the moment of the second detected fault. See 915.</p>	-																														
918	<p><input type="checkbox"/> Last fault 3</p> <p>This parameter describes the third detected fault.</p>	-																														
919	<p><input type="checkbox"/> State of drive at fault 3</p> <p>This parameter describes the drive state at the moment of the third detected fault. See 915.</p>	-																														
920	<p><input type="checkbox"/> Last fault 4</p> <p>This parameter describes the fourth detected fault.</p>	-																														
921	<p><input type="checkbox"/> State of drive at fault 4</p> <p>This parameter describes the drive state at the moment of the fourth detected fault. See 915.</p>	-																														

Monitoring mode MOn

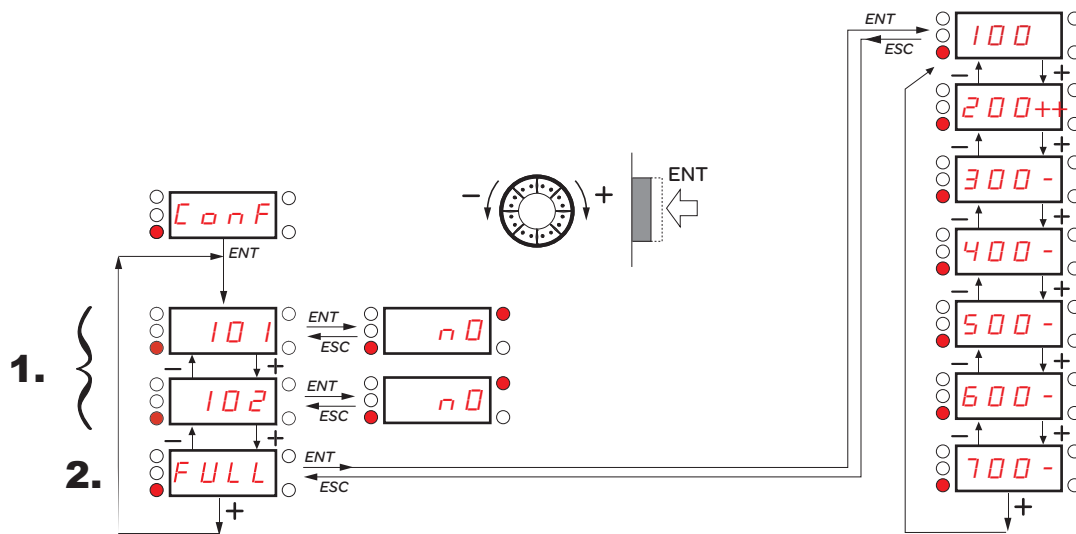
Code	Name/Description	Adjustment range	Factory setting
<p>999</p> <p>OFF</p> <p>On</p>	<p><input type="checkbox"/> HMI Password</p> <p>Possible state value:</p> <ul style="list-style-type: none"> <input type="checkbox"/> Password disabled <input type="checkbox"/> Password activated <p>Range: 2 - 9999</p> <p>If you have lost your password, please contact Schneider Electric.</p> <p>This parameter is used to restrict access to the drive. To lock the drive, go to the HMI Password 999 parameter and enter a password within the above range.</p> <p>Once activated, the password state changes to On: Password protection only enables access to Reference (rEF) (see page 33) mode and Monitor (BD0-) (see page 41) mode. Return to factory settings or access to FULL section are disabled. To unlock the drive, go to the 999 parameter, enter the valid password, then press ENT. Password protection removal is then possible and carried out by entering OFF using the jog dial and then pressing ENT.</p>	2 - 9999	OFF

Configuration mode, ConF

The Configuration mode comprises 2 parts :

1. Store/recall parameter set: these 2 functions are used to store and recall customer settings.
2. FULL: This menu permits to access to all other parameters. It includes 6 sub-menus:
 - Macro-configuration **100-** (page 43)
 - Input Output menu **200-** (page 44)
 - Motor Control menu **300-** (page 52)
 - Control menu **400-** (page 58)
 - Function menu **500-** (page 60)
 - Fault detection management menu **600-** (page 86)
 - Communication menu **700-** (page 93)




Organization tree




Displayed parameter values are given as examples only.

(1) Determined by active reference channel. (2) 2 s or ESC
Possible values: **402** or **403**

Configuration Mode

Code	Name/Description	Adjustment range	Factory setting
<p>101</p> <p>00 01</p> <p> 2s</p>	<p><input type="checkbox"/> Store customer parameter set</p> <p>This function creates a backup of the present configuration:</p> <ul style="list-style-type: none"> <input type="checkbox"/> Function inactive <input type="checkbox"/> Saves the current configuration in the drive memory. 101 automatically switches to 00 as soon as the save has been performed. <p>When a drive leaves the factory the current configuration and the backup configuration are both initialized with the factory configuration.</p>		00
<p>102</p> <p>00 02 64</p> <p> 2s</p>	<p><input type="checkbox"/> Factory / recall customer parameter set</p> <p>This function permits restoration of a configuration.</p> <ul style="list-style-type: none"> <input type="checkbox"/> Function inactive As soon as one of the following action has been performed, 102 automatically changes to 00. <input type="checkbox"/> The current configuration becomes identical to the backup configuration previously saved by 101. As soon as this action has been performed, 102 automatically changes to 0002 is only visible if the backup has been carried out. If this value appears, 64 is not visible. <input type="checkbox"/> The current configuration becomes identical to the factory setting. If this value appears, 64 is not visible. <div style="border: 1px solid black; padding: 5px; text-align: center;"> <p> WARNING</p> <p>UNANTICIPATED EQUIPMENT OPERATION</p> <p>Verify that restoring the factory settings is compatible with the type of wiring used.</p> <p>Failure to follow these instructions can result in death, serious injury, or equipment damage.</p> </div>		00

 2s To change the assignment of this parameter, press ENT key for 2 s.

How to control the drive locally


In factory setting, RUN, STOP and jog dial are inactive. To control the drive locally, adjust the following parameters: Set **Reference channel 1 401** (page 58) to **1B3** (use integrated display with jog dial).

LI assignment information


It is possible with ATV310 to use multi assignment function (ie: **501.4** and **503** on the same LI). It is also possible on some functions to assign LIH (high) or LIL (low), which means that the assigned function will be activated to high (LIH) or low level (LIL) of LI.

 Parameter that can be modified during operation or when stopped.

Configuration Mode - Complete menu (FULL)

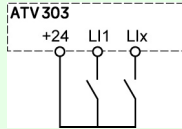
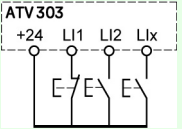

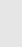

Code	Name/Description	Adjustment range	Factory setting																																																																																																
100	<input type="checkbox"/> Macro-configuration		StS																																																																																																
00 04 09	 WARNING UNANTICIPATED EQUIPMENT OPERATION Verify that the selected macro configuration is compatible with the type of wiring used. Failure to follow these instructions can result in death, serious injury or equipment damage.																																																																																																		
	Macro configuration provides a shortcut to configure a set of parameters suited to a specific field of application. 3 macro configurations are available: <ul style="list-style-type: none"> <input type="checkbox"/> Start/stop. Only forward is assigned. <input type="checkbox"/> PID regulation. Activate PID function, dedicate AI1 for feedback and AIV1 for reference. <input type="checkbox"/> Speed. Allocate LI to a preset speed which provides a means of configuring speed functions for a specific field of application. 																																																																																																		
	Selecting a macro configuration assigns the parameters in this macro configuration. Each macro configuration can still be modified in other menus.																																																																																																		
	<table border="1"> <thead> <tr> <th>Input / output or parameter</th> <th>Start/stop</th> <th>PID regulation</th> <th>Speed</th> </tr> </thead> <tbody> <tr> <td>AI1</td> <td>Ref. channel 1</td> <td>PID feedback</td> <td>NONE</td> </tr> <tr> <td>AIV1</td> <td>NONE</td> <td colspan="2">Ref. channel 1</td> </tr> <tr> <td>AO1</td> <td colspan="3">NONE</td> </tr> <tr> <td>LO1</td> <td colspan="3">NONE</td> </tr> <tr> <td>R1</td> <td colspan="3">No drive detected fault</td> </tr> <tr> <td>L1h (2-wire)</td> <td colspan="3">Forward</td> </tr> <tr> <td>L2h (2-wire)</td> <td colspan="2">NONE</td> <td>Reverse</td> </tr> <tr> <td>L3h (2-wire)</td> <td>NONE</td> <td>Auto/Manual</td> <td>2 preset speeds</td> </tr> <tr> <td>L4h (2-wire)</td> <td colspan="2">NONE</td> <td>4 preset speeds</td> </tr> <tr> <td>L1h (3-wire)</td> <td colspan="3">Stop</td> </tr> <tr> <td>L2h (3-wire)</td> <td colspan="3">Forward</td> </tr> <tr> <td>L3h (3-wire)</td> <td colspan="2">NONE</td> <td>Reverse</td> </tr> <tr> <td>L4h (3-wire)</td> <td>NONE</td> <td>Auto/Manual</td> <td>2 preset speeds</td> </tr> <tr> <td>4 0 1 (Reference source 1)</td> <td></td> <td>Integrated Jog dial</td> <td>Integrated Jog dial</td> </tr> <tr> <td>3 0 9 (Motor control type)</td> <td></td> <td>Pump: 309=06</td> <td></td> </tr> <tr> <td>4 0 4 (Reverse inhibition)</td> <td></td> <td>Yes</td> <td></td> </tr> <tr> <td>2 0 4.0 (AI1 type)</td> <td></td> <td>1 0 R</td> <td></td> </tr> <tr> <td>L F L 1 (4-20 mA signal loss)</td> <td></td> <td>4 E 5</td> <td></td> </tr> <tr> <td>5 0 7.3 (Preset speed 2)</td> <td></td> <td></td> <td>10.0Hz</td> </tr> <tr> <td>5 0 7.4 (Preset speed 3)</td> <td></td> <td></td> <td>25.0Hz</td> </tr> <tr> <td>5 0 7.5 (Preset speed 4)</td> <td></td> <td></td> <td>50.0Hz</td> </tr> <tr> <td>3 1 9 (Motor parameter choice)</td> <td></td> <td></td> <td>Motor power factor</td> </tr> <tr> <td>5 0 4.0 (Automatic DC injection)</td> <td>Limited DC injection</td> <td>Limited DC injection</td> <td>Limited DC injection</td> </tr> </tbody> </table>			Input / output or parameter	Start/stop	PID regulation	Speed	AI1	Ref. channel 1	PID feedback	NONE	AIV1	NONE	Ref. channel 1		AO1	NONE			LO1	NONE			R1	No drive detected fault			L1h (2-wire)	Forward			L2h (2-wire)	NONE		Reverse	L3h (2-wire)	NONE	Auto/Manual	2 preset speeds	L4h (2-wire)	NONE		4 preset speeds	L1h (3-wire)	Stop			L2h (3-wire)	Forward			L3h (3-wire)	NONE		Reverse	L4h (3-wire)	NONE	Auto/Manual	2 preset speeds	4 0 1 (Reference source 1)		Integrated Jog dial	Integrated Jog dial	3 0 9 (Motor control type)		Pump: 309=06		4 0 4 (Reverse inhibition)		Yes		2 0 4.0 (AI1 type)		1 0 R		L F L 1 (4-20 mA signal loss)		4 E 5		5 0 7.3 (Preset speed 2)			10.0Hz	5 0 7.4 (Preset speed 3)			25.0Hz	5 0 7.5 (Preset speed 4)			50.0Hz	3 1 9 (Motor parameter choice)			Motor power factor	5 0 4.0 (Automatic DC injection)	Limited DC injection	Limited DC injection	Limited DC injection
Input / output or parameter	Start/stop	PID regulation	Speed																																																																																																
AI1	Ref. channel 1	PID feedback	NONE																																																																																																
AIV1	NONE	Ref. channel 1																																																																																																	
AO1	NONE																																																																																																		
LO1	NONE																																																																																																		
R1	No drive detected fault																																																																																																		
L1h (2-wire)	Forward																																																																																																		
L2h (2-wire)	NONE		Reverse																																																																																																
L3h (2-wire)	NONE	Auto/Manual	2 preset speeds																																																																																																
L4h (2-wire)	NONE		4 preset speeds																																																																																																
L1h (3-wire)	Stop																																																																																																		
L2h (3-wire)	Forward																																																																																																		
L3h (3-wire)	NONE		Reverse																																																																																																
L4h (3-wire)	NONE	Auto/Manual	2 preset speeds																																																																																																
4 0 1 (Reference source 1)		Integrated Jog dial	Integrated Jog dial																																																																																																
3 0 9 (Motor control type)		Pump: 309=06																																																																																																	
4 0 4 (Reverse inhibition)		Yes																																																																																																	
2 0 4.0 (AI1 type)		1 0 R																																																																																																	
L F L 1 (4-20 mA signal loss)		4 E 5																																																																																																	
5 0 7.3 (Preset speed 2)			10.0Hz																																																																																																
5 0 7.4 (Preset speed 3)			25.0Hz																																																																																																
5 0 7.5 (Preset speed 4)			50.0Hz																																																																																																
3 1 9 (Motor parameter choice)			Motor power factor																																																																																																
5 0 4.0 (Automatic DC injection)	Limited DC injection	Limited DC injection	Limited DC injection																																																																																																

 2 s

 2 s To change the assignment of this parameter, press the ENT key for 2 s.

Configuration Mode - Complete menu (FULL)

200 -
300 -
400 -
500 -
600 -
700 -

Code	Name/Description	Adjustment range	Factory setting
200 -	I/O MENU		
201	<input type="checkbox"/> Type of control <input type="checkbox"/> 2 wire type control (see page 47) The open or closed state of the input controls running and stopping. Example of "source" wiring:  L1: forward Llx: reverse <input type="checkbox"/> 3-wire control (see page 47) "Forward" or "reverse" pulse send a run command. A "stop" pulse sends a stop command. Example of "source" wiring:  L1: stop L12: forward Llx: reverse		00
 2 s  1 s	<div style="text-align: center;">  WARNING </div> <p>UNANTICIPATED EQUIPMENT OPERATION</p> <p>If this parameter is changed, the parameters 2-wire type control 202 (page 47) and the assignments of the digital inputs are reset to the factory setting.</p> <p>Verify that this change is compatible with the type of wiring used.</p> <p>Failure to follow these instructions can result in death, serious injury or equipment damage.</p>		



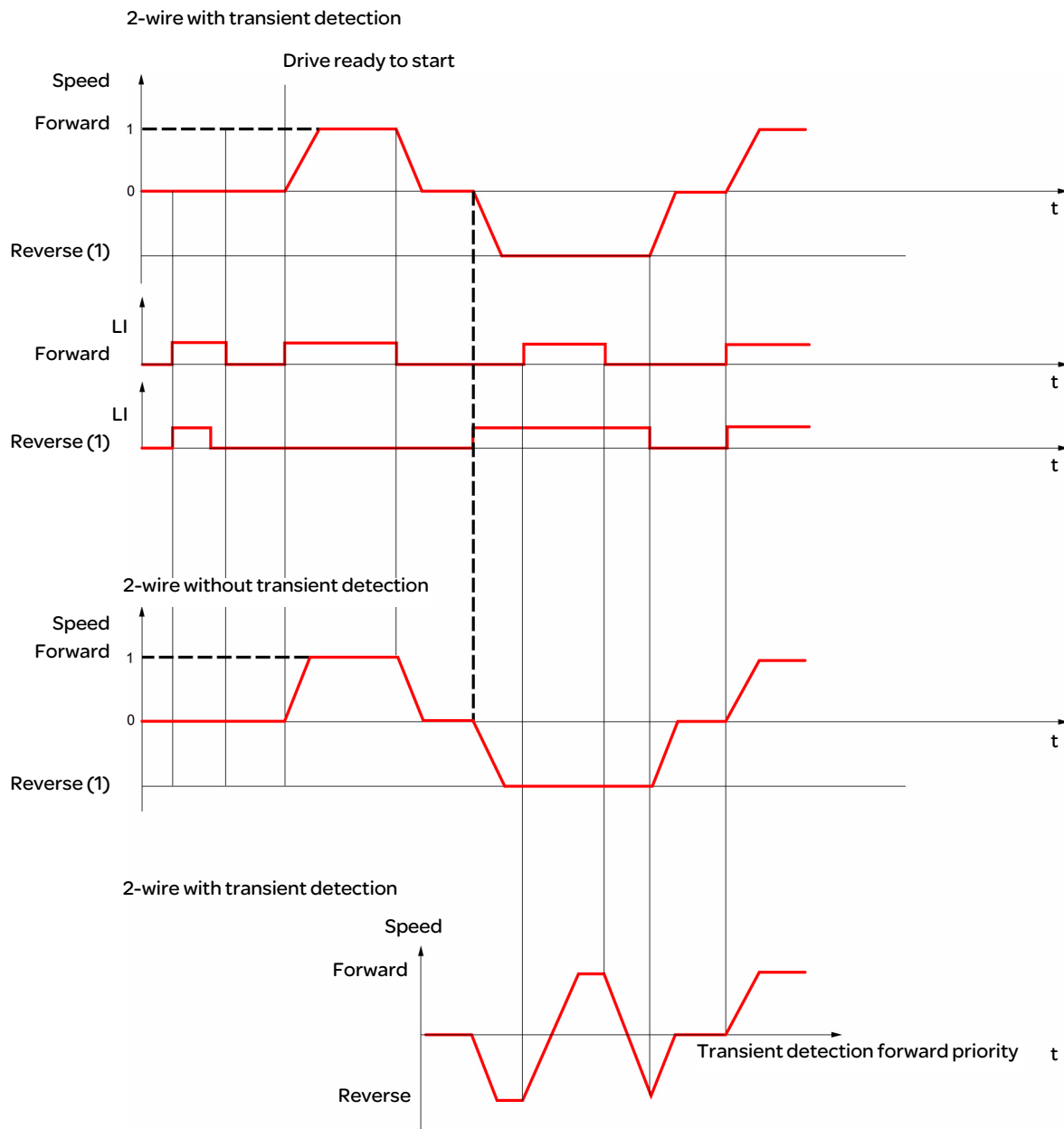
To change the assignment of this parameter, press the ENT key for 2 s.

Configuration Mode - Complete menu (FULL)

200 -
300 -
400 -
500 -
600 -
700 -

2 wire type control diagrams (see page 47)

Drive powered and ready



(1) Reverse is not factory assigned. See [Reverse direction 5 0 3](#) (page 62).

Simultaneous issuing of Forward and Reverse commands will start the motor in the Forward direction.

Configuration Mode - Complete menu (FULL)

200 -

300 -

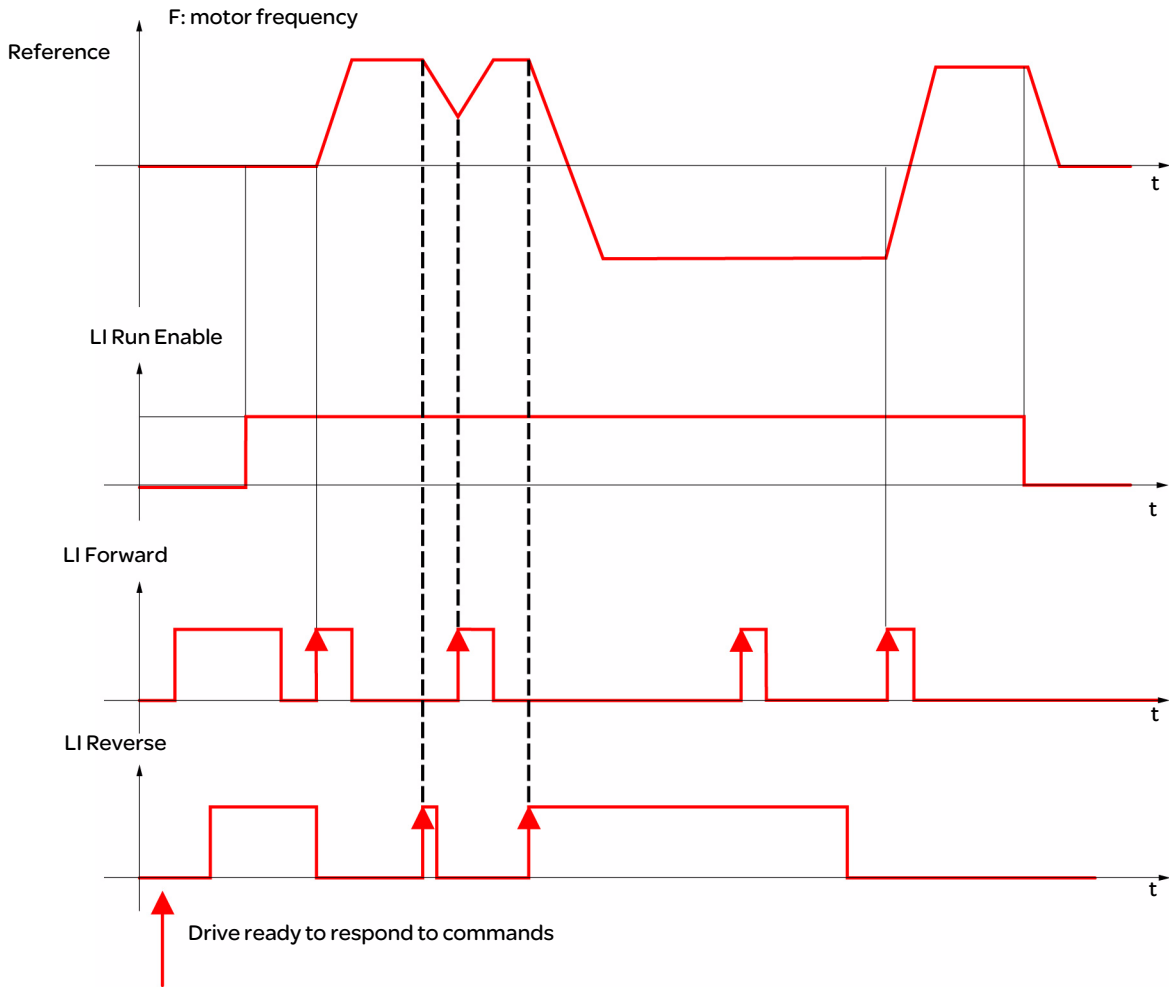
400 -

500 -

600 -


700 -

3-wire control diagrams (see page 47)



Configuration Mode - Complete menu (FULL)

200 -
300 -
400 -
500 -
600 -
700 -

Code	Name/Description	Adjustment range	Factory setting
200 -	I/O MENU (continued)		
202	<input type="checkbox"/> 2-wire type control		01
	 WARNING UNANTICIPATED EQUIPMENT OPERATION Verify that the parameter setting is compatible with the type of wiring used. Failure to follow these instructions can result in death, serious injury or equipment damage.		
	2-wire type control parameter can only be accessed if Type of control 201 (page 44) is set to 2C .		
00	<input type="checkbox"/> Level O/1: Run or stop determined by level state 0 or 1.		
01	<input type="checkbox"/> Transition: A change of state (transition or edge) is necessary to initiate operation, to help prevent accidental restarts after a power supply interruption.		
02	<input type="checkbox"/> Priority FW: Run or stop determined by state 0 or 1, but "forward" input takes priority over the "reverse" input.		
203	<input type="checkbox"/> Logic inputs type		00
00	<input type="checkbox"/> Positive: the inputs are active (state 1) at a voltage equal to or higher than 11 V (for example +24 V terminal). They are inactive (state 0) when the drive is disconnected or at a voltage lower than 5 V.		
01	<input type="checkbox"/> Negative using internal supply: the inputs are active (state 1) at a voltage lower than 10 V (for example COM terminal). They are inactive (state 0) at a voltage equal to or higher than 16 V or when the drive is disconnected.		
02	<input type="checkbox"/> Negative using external supply: the inputs are active (state 1) at a voltage lower than 10 V (for example COM terminal). They are inactive (state 0) at a voltage equal to or higher than 16 V.		
	Note: The modification will be taken into account only at the next control power-on.		
	See Control connection diagrams on page 23.		


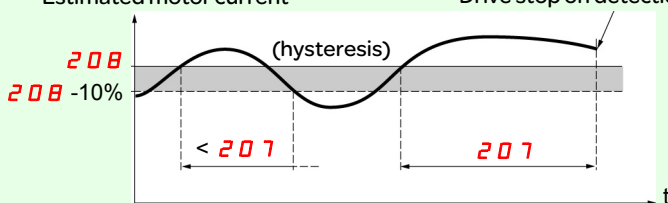
Configuration Mode - Complete menu (FULL)

200 -
300 -
400 -
500 -
600 -
700 -

Code	Name/Description	Adjustment range	Factory setting
200 -	I/O MENU (continued)		
204 -	AI1 CONFIGURATION MENU		
204.0	<input type="checkbox"/> AI1 type This function establishes an interface between the analog input signal and drive internal value. <input type="checkbox"/> Voltage: 0-5 Vdc <input type="checkbox"/> Voltage: 0-10 Vdc <input type="checkbox"/> Current: x-y mA. Range determined by the AI1 current scaling parameter of 0% 204.1 and AI1 current scaling parameter of 100% 204.2 settings below. See page 48. <input type="checkbox"/> Logic input		5U
5U 10U 0A L 1U			
204.1	<input type="checkbox"/> AI1 current scaling parameter of 0% Visible only if AI1 type 204.0 is set to 0A .	0 - 20 mA	4 mA
204.2	<input type="checkbox"/> AI1 current scaling parameter of 100% Visible only if AI1 type 204.0 is set to 0A .	0 - 20 mA	20 mA
200 -	I/O MENU (continued)		
205	<input type="checkbox"/> R1 assignment <input type="checkbox"/> Not assigned <input type="checkbox"/> No fault <input type="checkbox"/> Drive run <input type="checkbox"/> Frequency threshold reached <input type="checkbox"/> Motor frequency when max. reference value reached 5 12.2 <input type="checkbox"/> I threshold reached <input type="checkbox"/> Frequency reference reached <input type="checkbox"/> Motor thermal threshold reached <input type="checkbox"/> Underload alarm <input type="checkbox"/> Overload alarm <input type="checkbox"/> 4-20 mA signal loss visible only if 204.0 is set to 0A (see above). Note: Relay R1 can be assigned to upstream protection to avoid overvoltage in the drive: • Connect fault relay R1 to the contactor, see schematic page 17. • Use Relay R1 (R1 assignment 205) with protection. • Use LO1 assignment 206.0 (page 49) for remote indication of the drive status.		01
00 01 02 04 05 06 07 08 21 22 123			

Configuration Mode - Complete menu (FULL)

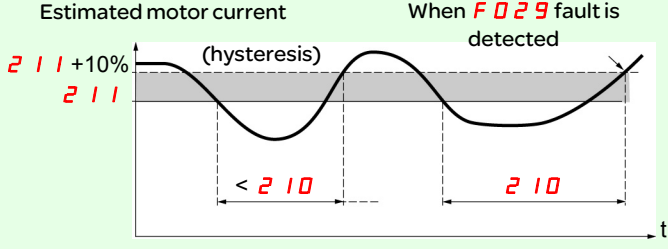
200 -
300 -
400 -
500 -
600 -
700 -

Code	Name/Description	Adjustment range	Factory setting
200 -	I/O MENU (continued)		
206 -	LO1 CONFIGURATION MENU		
206.0	<input type="checkbox"/> LO1 assignment		00
00	<input type="checkbox"/> Not assigned		
01	<input type="checkbox"/> No fault		
02	<input type="checkbox"/> Drive run		
04	<input type="checkbox"/> Frequency threshold reached		
05	<input type="checkbox"/> Motor frequency when max. reference value reached 5 12.2		
06	<input type="checkbox"/> I threshold reached		
07	<input type="checkbox"/> Frequency reference reached		
08	<input type="checkbox"/> Motor thermal threshold reached		
21	<input type="checkbox"/> Underload alarm		
22	<input type="checkbox"/> Overload alarm		
123	<input type="checkbox"/> 4-20 mA signal loss visible only if 204.0 is set to OA (see above).		
126	<input type="checkbox"/> Auxiliary pump		
206.1	<input type="checkbox"/> LO1 status (output active level)		00
00	<input type="checkbox"/> Positive logic: active high		
01	<input type="checkbox"/> Negative logic: active low		
 WARNING			
LOSS OF CONTROL Depending on the assignments and settings of the logic outputs, signal output functions may not be effective if the wiring is incorrect or inoperative.			
<ul style="list-style-type: none"> Do not set this parameter to 01 unless you can ensure that the signal will be available under all circumstances. Verify correct settings for all parameters used to set signal output functions. 			
Failure to follow these instructions can result in death, serious injury or equipment damage.			
200 -	I/O MENU (continued)		
207	<input type="checkbox"/> Application Overload time delay	0 to 100 s	0 s
This function can be used to stop the motor in the event of an application overload. This is not a motor or drive thermal overload. If the motor current exceeds the Application Overload threshold 208 , an Application Overload time delay 207 is activated. Once this time delay 207 has elapsed, if the current is still greater than the overload threshold 208 -10%, the drive will stop running and display Process overload. Overload detection is only active when the system is in steady state (Actual speed reference reached). A value of 0 will disable application overload detection.			
Estimated motor current Drive stop on detection of F 0 12 fault.			
			
208	<input type="checkbox"/> Application Overload threshold	70% - 150% of 305 parameter value 70% - 150%	90% of 305 parameter value
()	Visible only if Overload time delay 207 above is not 0. This parameter is used to detect an "application overload". 208 can be adjusted between 70 and 150% of the rated drive current. This is not the same as a motor or drive thermal overload.		

 Parameter that can be modified during operation or when stopped.

Configuration Mode - Complete menu (FULL)

200 -
300 -
400 -
500 -
600 -
700 -

Code	Name/Description	Adjustment range	Factory setting
200 - I/O MENU (continued)			
209 ()	<input type="checkbox"/> Time delay before automatic start for the overload fault If 602.0=01 , the drive will automatically restart after this time delay following the overload fault F012 . Minimum time permitted between an overload being detected and any automatic restart. In order for an automatic restart to be possible, the maximum restart time 602.1 (page 86) must exceed that of this parameter by at least one minute. Visible only if the "Overload time delay 207 " above is not set to 0.	0-6 min.	0 min.
210	<input type="checkbox"/> Application underload time delay 210 can be adjust between 0 to 100 s If the motor current undershoots the underload threshold 211 for longer than the adjustable time delay 210 , the drive will stop running and display F029 (Underload fault), see page 98. Estimated motor current When F029 fault is detected  Underload detection is only active when the system is in steady state (Actual speed reference reached). A value of 0 will disable application underload detection.	0 to 100 s	0 s
211 ()	<input type="checkbox"/> Application Underload threshold Visible only if Underload time delay 210 is not set to 0. This parameter is used to detect an application underload condition on the motor. Application Underload threshold 211 can be adjusted between 20 and 100% of the rated drive current.	20% to 100% of 305 parameter	60%
212 ()	<input type="checkbox"/> Underload fault duration start If 602.001 , the drive will automatically restart after this time delay following the underload fault F029 . Minimum time permitted between an underload being detected and any automatic restart. In order for an automatic restart to be possible, the maximum restart time 602.1 (page 86) must exceed that of this parameter by at least one minute. Visible only if the " Application underload time delay 210 " above is not set to 0.	0-6 min.	0 min.
213 ()	<input type="checkbox"/> Motor frequency threshold Visible only if R1 assignment 205 (page 48) or LO1 assignment 206.0 (page 49) is set to 04 .	0 to 400 Hz	50 or 60 Hz, Determined by drive rating
214 ()	<input type="checkbox"/> Motor current threshold Visible only if R1 assignment 205 (page 48) or LO1 assignment 206.0 (page 49) is set to 06 .	0 to 1.5 In (1)	In
215 ()	<input type="checkbox"/> Motor thermal state threshold Visible only if R1 assignment 205 (page 48) is set to 08 . Trip threshold for motor thermal alarm (logic output or relay)	0 to 118% of 808 parameter	100%

(1) In = rated drive current

() Parameter that can be modified during operation or when stopped.

Configuration Mode - Complete menu (FULL)

200 -
300 -
400 -
500 -
600 -
700 -

Code	Name/Description	Adjustment range	Factory setting
200 -	I/O MENU (continued)		
216 -	AO1 configuration menu		
216.0	<input type="checkbox"/> AO1 assignment This parameter is used to set the value of an analog output. <input type="checkbox"/> Not assigned <input type="checkbox"/> Estimated motor current <input type="checkbox"/> Estimated motor frequency <input type="checkbox"/> Ramp output <input type="checkbox"/> PID reference value - Visible only if PID feedback assignment 59.00 (page 66) is not set to 00. <input type="checkbox"/> PID feedback - Visible only if PID feedback assignment 59.00 (page 66) is not set to 00. <input type="checkbox"/> PID error - Visible only if PID feedback assignment 59.00 (page 66) is not set to 00. <input type="checkbox"/> Output power <input type="checkbox"/> Motor thermal state <input type="checkbox"/> Drive thermal state		00
00 129 130 131 135 136 137 139 140 141			
216.1	<input type="checkbox"/> AO1 type This parameter provides type selection for the drive analog output signal. <input type="checkbox"/> Voltage: 0-10 Vdc <input type="checkbox"/> Current: 0-20 mA <input type="checkbox"/> Current: 4-20 mA		OA
10U 0A 4A			
200 -	I/O MENU (continued)		
217	<input type="checkbox"/> Reference Template		00
00	<input type="checkbox"/> Standard <p>At zero reference the frequency = 512.0</p>		
02	<input type="checkbox"/> Deadband <p>At reference = 0 to 512.0 the frequency = 0</p>		

Configuration Mode - Complete menu (FULL)

⚠ WARNING

LOSS OF CONTROL

- Fully read and understand the manual of the connected motor.
- Verify that all motor parameters are correctly set by referring to the nameplate and the manual of the connected motor.

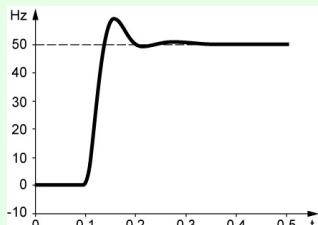
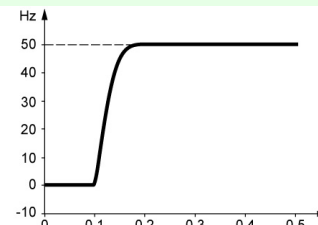
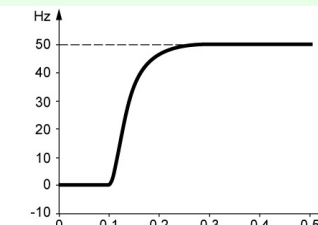
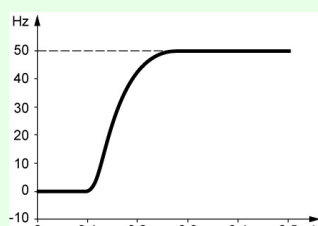
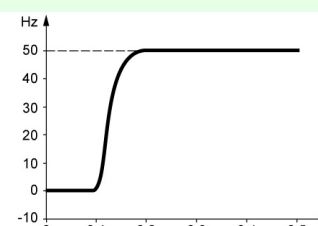
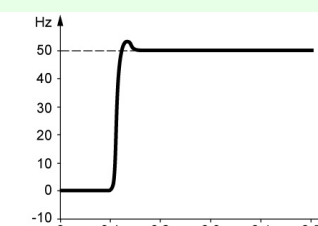
Failure to follow these instructions can result in death, serious injury or equipment damage.

Code	Name/Description	Adjustment range	Factory setting
300 -	Motor control menu		
301	<input type="checkbox"/> Standard motor frequency		50 Hz
302	<input type="checkbox"/> Rated Motor Power	Drive power -5 to drive power +2	Determined by drive rating
303	<input type="checkbox"/> Rated motor cos phi This parameter is visible only if Motor parameter choice 319 (page 55) is set to [00]. If Rated motor cos phi 303 is available, Rated Motor Power 302 disappears. Power factor (pf) is given on the motor rating plate. Note: Do not confuse this with motor "Service Factor". Setting 303 to 1 or very near to 1 may result in unsatisfactory motor operation. If the motor power factor is not indicated on the nameplate, leave this parameter at the factory default (approximately 0.80).	0.5 to 1	Determined by drive rating
304	<input type="checkbox"/> Rated motor voltage Nominal motor voltage is given on the nameplate. If the line voltage is less than the nominal motor voltage, Rated motor voltage 304 should be set to the value of the line voltage applied to the drive terminals.	360 to 460V	380V
305	<input type="checkbox"/> Rated motor current Nominal motor current is given on the nameplate. Motor thermal current 604. 0 (page 89) varies according to the nominal motor current 305 .	0.25 In to 1.5 In (1)	Determined by drive rating
306	<input type="checkbox"/> Rated motor frequency Nominal motor frequency is given on the nameplate. The factory setting is 50 Hz, or preset to 60 Hz [if Standard motor frequency 301 (page 52) is set to 60 Hz].	10 to 400 Hz	50 Hz
307	<input type="checkbox"/> Rated motor speed Nominal motor speed is given on the nameplate.	0 to 24000 rpm	Determined by drive rating
308	<input type="checkbox"/> Maximum frequency Maximum frequency 308 gives the upper value possible for High speed 512. 2 (page 85). The factory setting is 60 Hz, or preset to 72 Hz [if Standard motor frequency 301 (page 52) is set to 60 Hz].	10 to 400 Hz	60 Hz
309	<input type="checkbox"/> Motor control type Permits selection of motor control types suitable for application and performance requirements.		03
00	<input type="checkbox"/> Performance: Sensorless vector control with internal speed loop based on a voltage feedback calculation. For applications requiring high performance during starting or operation.		
03	<input type="checkbox"/> Standard: 2 point V/F control without internal speed loop. For simple applications that do not require high performance. Simple motor control law maintaining a constant Voltage Frequency ratio, permits adjustment of curve start point. This law is generally used for motors connected in parallel. Some applications using motors in parallel or with high performance requirements may require use of the "high performance" (00) control type.		
06	<input type="checkbox"/> Pump: U ² /F; for dedicated use with variable torque fan and pump applications not requiring high starting torque.		

(1) In = rated drive current

Configuration Mode - Complete menu (FULL)

200 -
300 -
400 -
500 -
600 -
700 -

Code	Name/Description	Adjustment range	Factory setting
300 - Motor control menu (continued)			
310 ()	<input type="checkbox"/> IR compensation Used to optimize torque at very low speed, or to adapt to special cases (for example, for motors connected in parallel, decrease IR compensation 310). If there is insufficient torque at low speed, increase IR compensation 310 . Too high a value can cause the motor not to start (locking) or to change to current limiting mode.	25 to 200%	100%
311 ()	<input type="checkbox"/> Slip compensation Visible only if Motor control type 309 (page 52) is not set to 06 . Used to adjust the slip compensation around the value set by the nominal motor slip, or to adjust to special circumstances (for example, for motors connected in parallel, decrease Slip compensation 311). If the set slip compensation is lower than the actual slip compensation, the motor will not run at nominal speed in a steady state but at a speed lower than the reference. If the set slip compensation is greater than the actual slip compensation, the motor speed becomes unstable.	0 to 150%	100%
312 ()	<input type="checkbox"/> Frequency loop stability The 312 parameter can be used to reduce overshoots and oscillations at the end of acceleration. After a period of acceleration or deceleration, 312 adjusts the return value of the steady state to the dynamic value of the equipment; Too high a value can cause an extended response time. Too low a value can cause overspeed, or even instability. <div style="display: flex; justify-content: space-around;"> <div style="text-align: center;"> <p>Low 312 parameter value In this case, increase 312</p>  </div> <div style="text-align: center;"> <p>Correct 312 parameter value</p>  </div> <div style="text-align: center;"> <p>High 312 parameter value In this case, reduce 312</p>  </div> </div> <p>Visible only if Motor control type 309 (page 52) is set to 00.</p>	0 to 100%	20%
313 ()	<input type="checkbox"/> Frequency loop gain The 313 parameter adjusts the slope of the speed increase according to the inertia of the machine being driven. Too high a value can cause overspeed, or even instability. Too low a value can cause an extended response time. <div style="display: flex; justify-content: space-around;"> <div style="text-align: center;"> <p>Low 313 parameter value In this case, increase 313</p>  </div> <div style="text-align: center;"> <p>Correct 313 parameter value</p>  </div> <div style="text-align: center;"> <p>High 313 parameter value In this case, reduce 313</p>  </div> </div> <p>Visible only if Motor control type 309 (page 52) is set to 00.</p>	0 to 100%	20%

() Parameter that can be modified during operation or when stopped.

Configuration Mode - Complete menu (FULL)

200 -


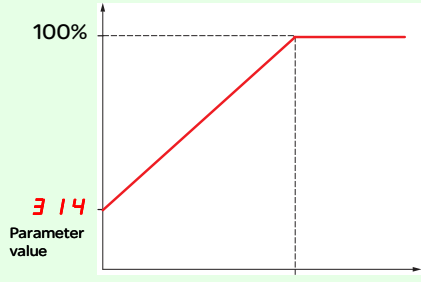

300 -

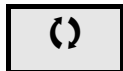
400 -

500 -

600 -

700 -


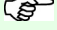
Code	Name/Description	Adjustment range	Factory setting
Motor control menu (continued)			
314 	<input type="checkbox"/> Flux Profile This function defines the magnetizing current at zero frequency as a % of the rated magnetizing current. Adjustment curve for PUMP law  Visible only if Motor control type 309 (page 52) is set to 06 .	0 to 100%	20%
315 	<input type="checkbox"/> Switching frequency Switching frequency range setting. In the event of overheating, the drive automatically decreases the Switching frequency range. Returns to its original value once the temperature has returned to normal.	2 to 12 kHz	4 kHz
317 00 01	<input type="checkbox"/> Motor noise reduction Noise refers to audible noise. Means of adjusting motor noise must be provided to satisfy environmental requirements. Random frequency modulation avoids possible noise resonance that can occur at fixed frequency. <input type="checkbox"/> No <input type="checkbox"/> Yes		00



Parameter that can be modified during operation or when stopped.

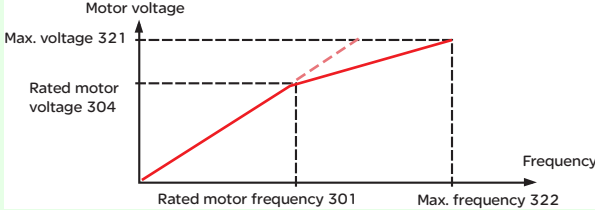
Configuration Mode - Complete menu (FULL)

200 -
300 -
400 -
500 -
600 -
700 -

Code	Name/Description	Adjustment range	Factory setting
300 -	Motor control menu (continued)		
318	<input type="checkbox"/> Auto-tuning		00
00 01 02	<div style="text-align: center; background-color: black; color: white; padding: 5px;">  DANGER </div> <p>HAZARD OF ELECTRIC SHOCK OR ARC FLASH</p> <ul style="list-style-type: none"> • During Auto-tuning 318, the motor operates at nominal current. • Verify that the same precautions are in place during Auto-tuning 318 as during normal operation of the motor as specified in product manuals and in the manual of the motor <p>Failure to follow these instructions will result in death or serious injury.</p> <ul style="list-style-type: none"> <input type="checkbox"/> 00: Use factory parameters for standard motors <input type="checkbox"/> 01: Launches auto-tuning <input type="checkbox"/> 02: Auto-tuning has already been performed <p>Attention:</p> <ul style="list-style-type: none"> • Auto-tuning must be performed with the motor connected and cold. • The parameters Rated Motor Power 302 (page 52) and Rated motor current 305 (page 52) must be consistent. • Auto-tuning is performed only if no stop command has been activated. If a freewheel stop or fast stop function has been assigned to a logic input, this input must be set to 1 (active at 0). • Auto-tuning takes priority over any run or prefluxing commands, which will take effect after the auto-tuning sequence. <ul style="list-style-type: none"> • Auto-tuning may last for 1 to 10 seconds. Do not interrupt. Wait for the display to change to 02 or 00. • Re-perform auto-tuning after motor cables are replaced to ensure effectiveness of motor control. <p> Note: During auto-tuning, the motor operates at rated current.</p>		
319	<input type="checkbox"/> Motor parameter choice		00
00 01	<p>This parameter allows to choose which motor parameter will be configured (power or power factor).</p> <ul style="list-style-type: none"> <input type="checkbox"/> Rated Motor Power (page 52) <input type="checkbox"/> Rated motor cos phi (page 52) 		

Configuration Mode - Complete menu (FULL)

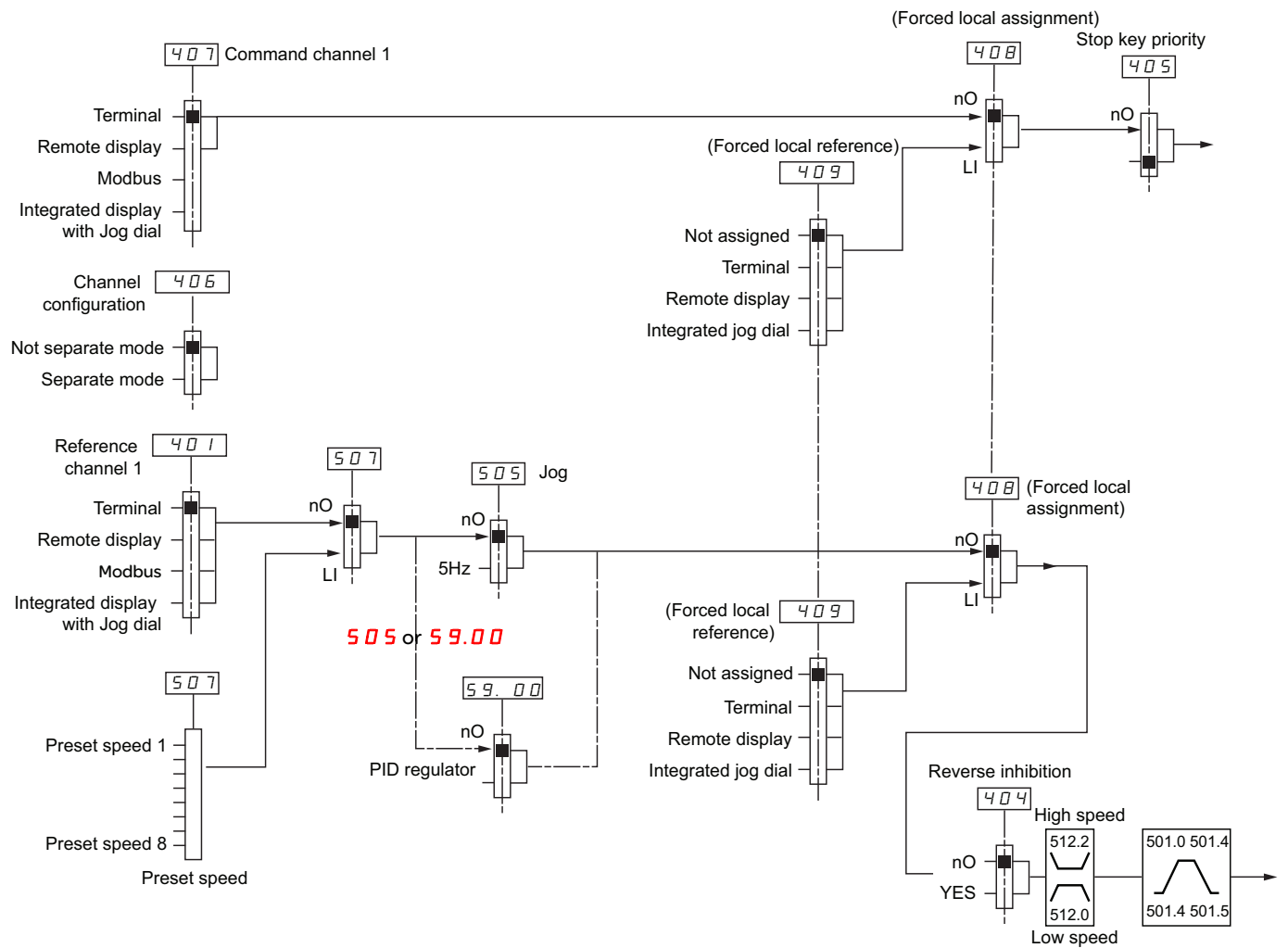
200 -
300 -
400 -
500 -
600 -
700 -

Code	Name/Description	Adjustment range	Factory setting
320	<input type="checkbox"/> Vector control 2 points <input type="checkbox"/> [00] No <input type="checkbox"/> [01] Yes For use in the following application contexts: when the rated speed and rated frequency of the motor must be exceeded for optimization of operation performance at constant power, or when the maximum voltage of the motor must be limited to a certain value below the main voltage. The U/F diagram must therefore be modified according to the motor's work ability at maximum voltage and Top frequency. 		00
321	<input type="checkbox"/> Max voltage of constant power Visible if 320 = YES	314 parameter value ~ 460V	380V
322	<input type="checkbox"/> Max frequency of constant power Visible if 320 = YES	306 parameter value ~ 400Hz	50Hz

Configuration Mode - Complete menu (FULL)

Control menu

Control channel diagram



200 -
300 -
400 -
500 -
600 -
700 -

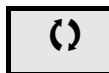
Configuration Mode - Complete menu (FULL)

200 -
300 -
400 -
500 -
600 -
700 -

Code	Name/Description	Adjustment range	Factory setting
400 -	Control menu		
401 01 163 164 183	<input type="checkbox"/> Reference channel 1 <input type="checkbox"/> Analog terminal <input type="checkbox"/> Remote display <input type="checkbox"/> Modbus <input type="checkbox"/> Integrated display with Jog dial		01
402 (↻)	<input type="checkbox"/> External reference value	-400 Hz to 400 Hz	-
403 (↻)	<input type="checkbox"/> Analog input virtual	0% to 100%	
404 00 01	<input type="checkbox"/> Reverse inhibition Inhibition of movement in the reverse direction. Does not apply to direction requests sent by logic inputs. - Reverse direction requests sent by logic inputs are taken into account. - Reverse direction requests sent by the display are not taken into account. - Reverse direction requests sent by the communication line are not taken into account. - Any reverse Actual speed reference originating from the PID, summing input etc., is interpreted as a zero reference (0 Hz). <input type="checkbox"/> No <input type="checkbox"/> Yes		00
405 ⌚ 2s 00 01	<input type="checkbox"/> Stop key priority This parameter can enable or disable the stop button located on the drive and remote display. Disabling the stop button is effective if the active command channel is not the drive display terminal or the remote display. <div style="text-align: center;">⚠ WARNING</div> <div style="border: 1px solid black; padding: 5px;"> LOSS OF CONTROL The function Stop key priority 405 parameter disables the Stop keys of the drive and of the Remote Display Terminal if the setting of the parameter is 00. Only set this parameter to 00 if you have implemented appropriate alternative stop functions. Failure to follow these instructions can result in death, serious injury or equipment damage. </div> <input type="checkbox"/> No: Stop inactive <input type="checkbox"/> Yes: Stop active It is advised in case this function is set to 01 to use the front door cover or the optional display cover on the "run" and "stop" keys.		01
406 01 02	<input type="checkbox"/> Channel configuration Channel configuration 406 allows the selection of: - Combined mode (command and reference come from the same channel) - Separate mode (command and reference come from different channels) <input type="checkbox"/> Combined mode <input type="checkbox"/> Separate mode		01



To change the assignment of this parameter, press the ENT key for 2 s.



Parameter that can be modified during operation or when stopped.

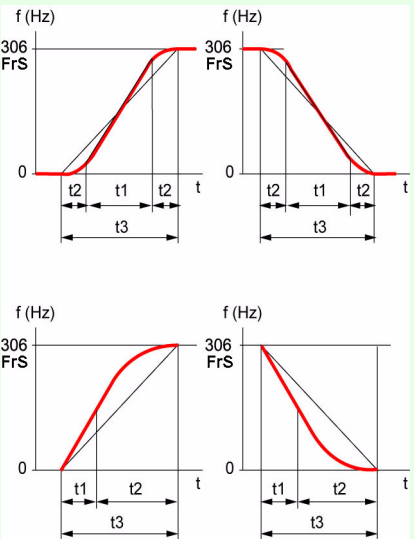
Configuration Mode - Complete menu (FULL)

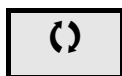
200 -
300 -
400 -
500 -
600 -
700 -

Code	Name/Description	Adjustment range	Factory setting
400 -	Control menu (continued)		
407 01 02 03 10	<input type="checkbox"/> Command channel 1 This parameter permits selection of the command channel. <input type="checkbox"/> Terminals <input type="checkbox"/> Local <input type="checkbox"/> Remote display <input type="checkbox"/> Modbus Visible only if Channel configuration 406 (page 58) is set to Separate.		01
408 00 L1H - L4H LUH	<input type="checkbox"/> Forced local assignment <input type="checkbox"/> Function inactive <input type="checkbox"/> L1h - L4H, LUH: Forced local mode is active when the input is at state 1.		00
409 00 01 163 183	<input type="checkbox"/> Forced local reference Visible only if Forced local assignment 408 is not set to 00 <input type="checkbox"/> Not assigned <input type="checkbox"/> Analog input terminal <input type="checkbox"/> Remote display <input type="checkbox"/> Integrated display with Jog dial		00

Configuration Mode - Complete menu (FULL)

200 -
300 -
400 -
500 -
600 -
700 -

Code	Name/Description	Adjustment range	Factory setting
500 -	Function menu		
501 -	Ramp menu		
501.0 ()	<input type="checkbox"/> Acceleration Acceleration time between 0 Hz and the Rated motor frequency 306 (page 52). Make sure this value is compatible with the inertia being driven.	0.0 s to 999.9 s	3.0 s
501.1 ()	<input type="checkbox"/> Deceleration Time to decelerate from the Rated motor frequency 306 (page 52) to 0 Hz. Make sure this value is compatible with the inertia being driven.	0.0 s to 999.9 s	3.0 s
501.2 00 01 02 ()	<input type="checkbox"/> Ramp shape assignment <input type="checkbox"/> Linear <input type="checkbox"/> S Shape <input type="checkbox"/> U Shape  The rounding coefficient is fixed, wherein t1 = 0.6 x set ramp time (linear) t2 = 0.4 x set ramp time (round) t3 = 1.4 x ramp time The rounding coefficient is fixed, wherein t1 = 0.5 x set ramp time (linear) t2 = set ramp time (round) t3 = 1.5 x ramp time		00
501.3 00 L1H L2H L3H L4H LUH L1L L2L L3L L4L LUL	<input type="checkbox"/> Ramp switching commutation <input type="checkbox"/> Not assigned <input type="checkbox"/> L1H: LI1 active high <input type="checkbox"/> L2H: LI2 active high <input type="checkbox"/> L3H: LI3 active high <input type="checkbox"/> L4H: LI4 active high <input type="checkbox"/> LUH: LIU active high <input type="checkbox"/> L1L: LI1 active low <input type="checkbox"/> L2L: LI2 active low <input type="checkbox"/> L3L: LI3 active low <input type="checkbox"/> L4L: LI4 active low <input type="checkbox"/> LUL: LIU active low See LI assignment information on page 42.		00



Parameter that can be modified during operation or when stopped.

Configuration Mode - Complete menu (FULL)

200 -
300 -
400 -
500 -
600 -
700 -

Code	Name/Description	Adjustment range	Factory setting
500 -	Function menu (continued)		
501 -	Ramp menu (continued)		
501.4 ()	<input type="checkbox"/> Acceleration 2 Visible only if Ramp switching commutation 501.3 (page 60) is not set to 00 . Second acceleration ramp time, adjustable from 0.0 to 999.9 s This ramp becomes the active ramp only when PID is used to perform start and wake-up phases. See PID: wake up level (page 69).	0.0 to 999.9 s	5.0 s
501.5 ()	<input type="checkbox"/> Deceleration 2 Visible only if Ramp switching commutation 501.3 (page 60) is not set to 00 . Second deceleration ramp time, adjustable from 0.0 to 999.9 s	0.0 to 999.9 s	5.0 s
501.6 00 01 02	<input type="checkbox"/> Decel Ramp Adaptation assignment <input type="checkbox"/> Function inactive. The drive will decelerate based on normal deceleration time settings. This setting is compatible with optional dynamic braking (if used). <input type="checkbox"/> This function automatically increases deceleration time when stopping or reducing the speed of high inertia loads to help prevent DC bus overvoltage or overbraking. <input type="checkbox"/> Motor Braking: This mode allows the drive to attempt the most rapid stop possible without the use of a dynamic brake resistor. It uses motor losses to dissipate energy generated by braking. This function may be incompatible with positioning. This function should not be used when an optional braking resistor and module are being used. Attention: When using a braking resistor set 501.6 to 00.		01

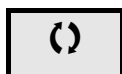
() Parameter that can be modified during operation or when stopped.

Configuration Mode - Complete menu (FULL)

200 -
300 -
400 -
500 -
600 -
700 -

Code	Name/Description	Adjustment range	Factory setting
500 -	Function menu (continued)		
502 -	Stop configuration menu		
502.0	<input type="checkbox"/> Type of stop Stop mode on disappearance of the run command or appearance of a stop command. <input type="checkbox"/> Ramp stop <input type="checkbox"/> Fast stop <input type="checkbox"/> Freewheel stop		00
00 08 13			
502.1	<input type="checkbox"/> Freewheel stop assignment This stop type is activated when the input or corresponding register bit changes to 0. If the input returns to state 1 and the run command is still active, the motor will only restart if Type of control 201 (page 44) = 2C and 2-wire type control 202 (page 47) = 00 or 02 . If not, a new run command must be sent. <input type="checkbox"/> Not assigned <input type="checkbox"/> L1L: LI1 active Low to stop <input type="checkbox"/> L2L: LI2 active Low to stop <input type="checkbox"/> L3L: LI3 active Low to stop <input type="checkbox"/> L4L: LI4 active Low to stop <input type="checkbox"/> LUL: LIU active Low to stop		00
00 L 1L L 2L L 3L L 4L L UL			
502.2	<input type="checkbox"/> Fast stop assignment <input type="checkbox"/> Not assigned <input type="checkbox"/> L1L: LI1 active Low to stop <input type="checkbox"/> L2L: LI2 active Low to stop <input type="checkbox"/> L3L: LI3 active Low to stop <input type="checkbox"/> L4L: LI4 active Low to stop <input type="checkbox"/> LUL: LIU active Low to stop		00
00 L 1L L 2L L 3L L 4L L UL			
502.3	<input type="checkbox"/> Ramp divider Visible only if Fast stop assignment 502.2 (page 62) is not set to 00 or 502.2 is set to 08 Fast stop (page 62). When stop requests are sent the active ramp time [Deceleration 501.1 (page 60) or Deceleration 2 501.5 (page 61)] is divided by this coefficient.	1 to 10	4
()			

Code	Name/Description	Adjustment range	Factory setting
500 -	Function menu (continued)		
503	<input type="checkbox"/> Reverse direction LI1 - LI4: choice of the input assigned to the reverse command <input type="checkbox"/> Function inactive <input type="checkbox"/> L1h: L1 active high <input type="checkbox"/> L2h: L2 active high <input type="checkbox"/> L3h: L3 active high <input type="checkbox"/> L4h: L4 active high <input type="checkbox"/> LUh: LIU active high		00
00 L 1H L 2H L 3H L 4H L UH			

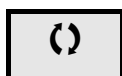


Parameter that can be modified during operation or when stopped.

Configuration Mode - Complete menu (FULL)

200 -
300 -
400 -
500 -
600 -
700 -

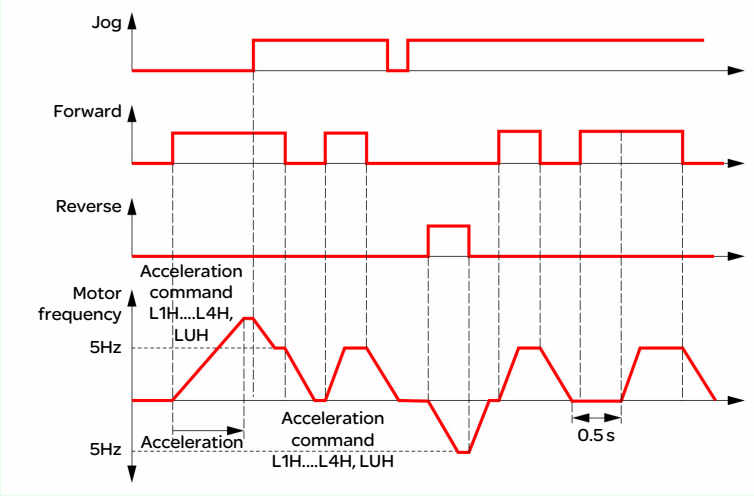
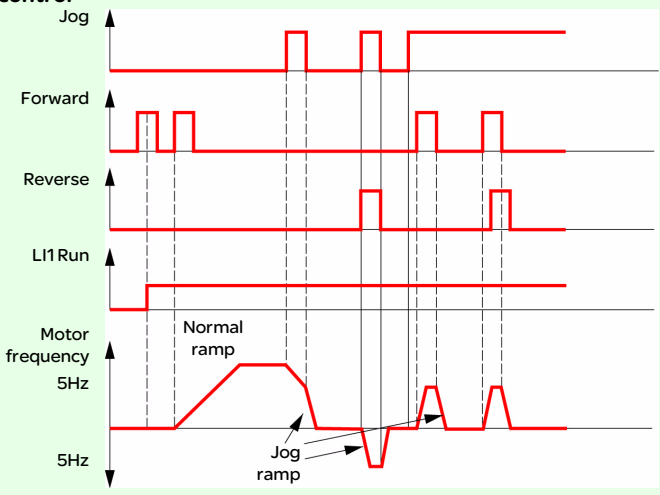
Code	Name/Description	Adjustment range	Factory setting
500 -	Function menu (continued)		
504 -	AUTO DC INJECTION MENU		
504.0 ()	<input type="checkbox"/> Automatic DC injection		01
	<p style="text-align: center;">⚡ ⚠ DANGER</p> <p>HAZARD OF ELECTRIC SHOCK, EXPLOSION, OR ARC FLASH If the parameter 504.0 Automatic DC injection is set to 02, DC injection is always active, even if the motor does not run. Verify that using this setting does not result in unsafe conditions. Failure to follow these instructions will result in death or serious injury.</p> <p style="text-align: center;">⚠ WARNING</p> <p>UNINTENDED MOVEMENT</p> <ul style="list-style-type: none"> Do not use DC injection to generate holding torque when the motor is at a standstill. Use a holding brake to keep the motor in the standstill position. <p>Failure to follow these instructions can result in death, serious injury, or equipment damage.</p> <p> <input type="checkbox"/> No DC injected current <input type="checkbox"/> Time limited DC injection <input type="checkbox"/> Continuous DC injection </p>		
00 01 02			
504.1 ()	<input type="checkbox"/> Automatic DC injection current	0 to 120% of nominal motor current	70%
	<p style="text-align: center;">NOTICE</p> <p>OVERHEATING AND DAMAGE TO THE MOTOR Verify that the connected motor is properly rated for the DC injection current to be applied in terms of amount and time in order to avoid overheating and damage to the motor. Failure to follow this instruction can result in equipment damage.</p> <p>Visible only if Automatic DC injection 504.0 is not set to 00. Injection current on stopping and continuous DC injection.</p>		
504.2 ()	<input type="checkbox"/> Automatic DC injection time	0.1 to 30 s	0.5 s
	<p style="text-align: center;">NOTICE</p> <p>OVERHEATING AND DAMAGE TO THE MOTOR Verify that the connected motor is properly rated for the DC injection current to be applied in terms of amount and time in order to avoid overheating and damage to the motor. Failure to follow this instruction can result in equipment damage.</p> <p>Visible only if Automatic DC injection 504.0 is not set to 00. Injection time on stopping.</p>		



Parameter that can be modified during operation or when stopped.

Configuration Mode - Complete menu (FULL)

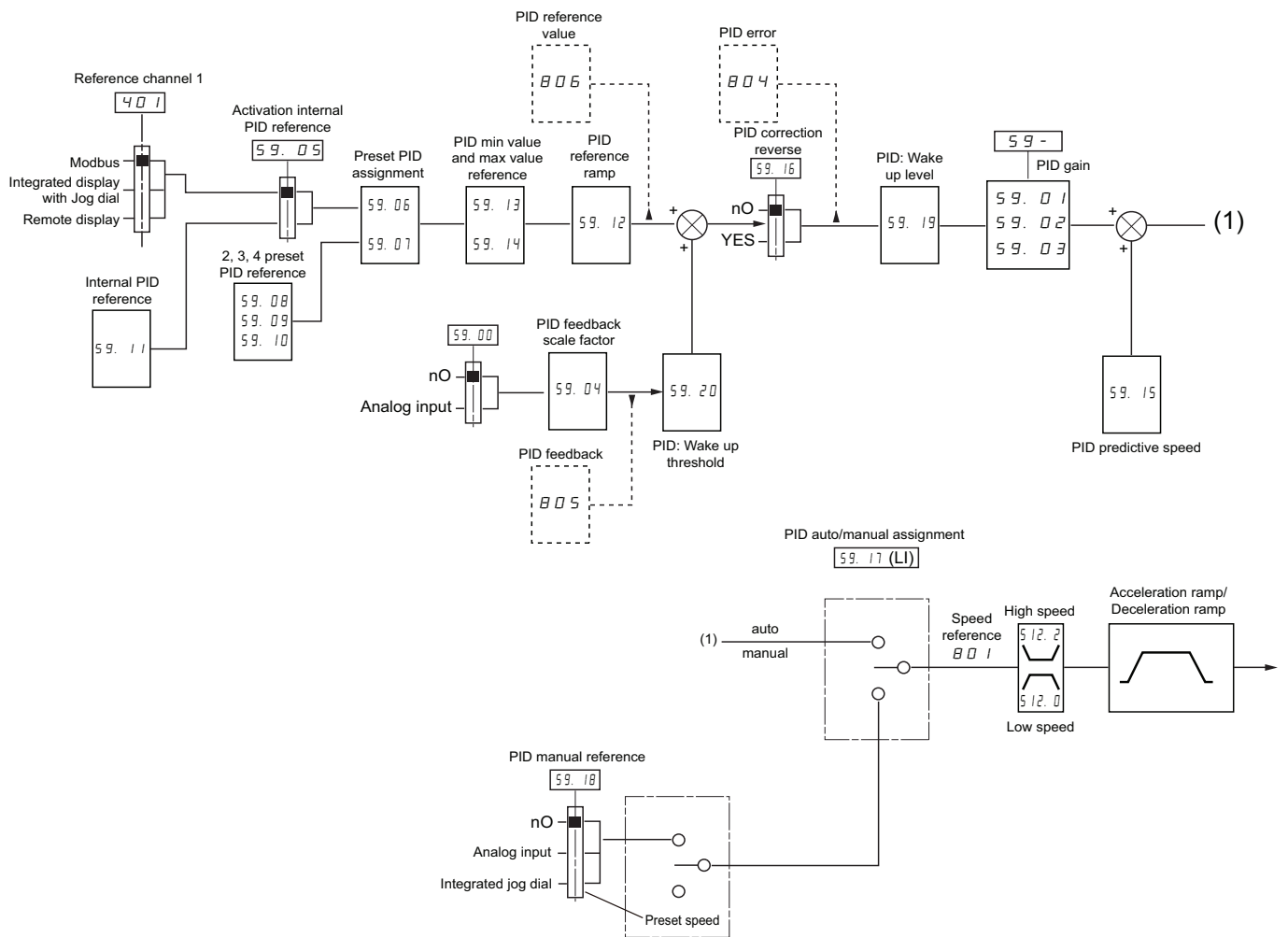
200 -
300 -
400 -
500 -
600 -
700 -

Code	Name/Description	Adjustment range	Factory setting
500 -	Function menu (continued)		
505	<p><input type="checkbox"/> Jog assignment</p> <p>This parameter employs a 2 or 3-wire control related logic input, providing step by step control of motor running. The jog frequency is fixed at 5 Hz. Acceleration and deceleration ramps taken into account in the Jog function are 0.1 s.</p> <ul style="list-style-type: none"> <input type="checkbox"/> Function inactive <input type="checkbox"/> L1h: L1 active high <input type="checkbox"/> L2H: LI2 active high <input type="checkbox"/> L3h: LI3 active high <input type="checkbox"/> L4h: LI4 active high <input type="checkbox"/> LUh: LIU active high <p>2 wire type control</p>  <p>3-wire control</p> 	00	
00			
L1H			
L2H			
L3H			
L4H			
LUH			

Configuration Mode - Complete menu (FULL)

200 -
300 -
400 -
500 -
600 -
700 -

PID diagram



Configuration Mode - Complete menu (FULL)

200 -
300 -
400 -
500 -
600 -
700 -

Code	Name/Description	Adjustment range	Factory setting
500 -	Function menu (continued)		
59 -	PID menu		
59.00 00 01	<input type="checkbox"/> PID feedback assignment <input type="checkbox"/> Not assigned. <input type="checkbox"/> Analog terminal. Choice not possible if 401 is set to 01.		00
59.01 ()	<input type="checkbox"/> PID proportional gain Visible only if PID feedback assignment 59.00 is not set to 00 .	0.01 to 100	1
59.02 ()	<input type="checkbox"/> PID integral gain Visible only if PID feedback assignment 59.00 is not set to 00 .	0.01 to 100	1
59.03 ()	<input type="checkbox"/> PID derivative gain Visible only if PID feedback assignment 59.00 is not set to 00 .	0.00 to 100.00	0.00
59.04 ()	<input type="checkbox"/> PID feedback scale factor This parameter gives the relation between process range and feedback range. Visible only if PID feedback assignment 59.00 is not set to 00 .	0.1 to 100.0	1.0
59.05 00 01	<input type="checkbox"/> Activation internal PID reference value Visible only if PID feedback assignment 59.00 is not set to 00 . <input type="checkbox"/> No <input type="checkbox"/> Yes		00
59.06 00 L1H L2H L3H L4H LUH	<input type="checkbox"/> 2 preset PID assignment Visible only if PID feedback assignment 59.00 is not set to 00 . <input type="checkbox"/> None <input type="checkbox"/> L1h <input type="checkbox"/> L2h <input type="checkbox"/> L3h <input type="checkbox"/> L4h <input type="checkbox"/> LUH		00

 Parameter that can be modified during operation or when stopped.

Configuration Mode - Complete menu (FULL)

200 -
300 -
400 -
500 -
600 -
700 -

Code	Name/Description	Adjustment range	Factory setting
500 -	Function menu (continued)		
59 -	PID menu (continued)		
59.07	<input type="checkbox"/> 4 preset PID assignment Visible only if PID feedback assignment 59.00 (page 66) is not set to 00 . <input type="checkbox"/> None <input type="checkbox"/> L1h <input type="checkbox"/> L2h <input type="checkbox"/> L3h <input type="checkbox"/> L4h <input type="checkbox"/> LUH Before assigning 4 preset PID assignment 59.07 , 2 preset PID assignment 59.06 (page 66) must be assigned.		00
59.08 ()	<input type="checkbox"/> 2 preset PID reference value Visible only if PID feedback assignment 59.00 (page 66) and 2 preset PID assignment 59.06 (page 66) are not set to 00 .	0 to 100%	25%
59.09 ()	<input type="checkbox"/> 3 preset PID reference value Visible only if PID feedback assignment 59.00 (page 66) and 4 preset PID assignment 59.07 (page 66) are not set to 00 .	0 to 100%	50%
59.10 ()	<input type="checkbox"/> 4 preset PID reference value Visible only if PID feedback assignment 59.00 (page 66), 2 preset PID assignment 59.06 and 4 preset PID assignment 59.07 (page 66) are not set to 00 .	0 to 100%	75%
59.11 ()	<input type="checkbox"/> Internal PID reference value Visible only if PID feedback assignment 59.00 (page 66) is not set to 00 and Activation internal PID reference value 59.05 (page 66) is set to 01 or Reference channel 401 (page 58) is set to 163 .	0 to 100%	0%
59.12 ()	<input type="checkbox"/> PID reference value ramp Visible only if PID feedback assignment 59.00 (page 66) is not set to 00 .	0 to 99.9 s	0 s
59.13 ()	<input type="checkbox"/> PID min value reference Visible only if PID feedback assignment 59.00 (page 66) is not set to 00 .	0 to 100%	0%
59.14 ()	<input type="checkbox"/> PID max value reference Visible only if PID feedback assignment 59.00 (page 66) is not set to 00 .	0 to 100%	100%
59.15	<input type="checkbox"/> PID predictive speed This parameter allows direct attainment of a set speed reference. Visible only if PID feedback assignment 59.00 (page 66) is not set to 00 .	0.1 to 400 Hz	n0

() Parameter that can be modified during operation or when stopped.

Configuration Mode - Complete menu (FULL)

200 -
300 -
400 -
500 -
600 -
700 -

Code	Name/Description	Adjustment range	Factory setting
500 -	Function menu (continued)		
59 -	PID menu (continued)		
501.4 ()	<input type="checkbox"/> Acceleration 2 This parameter only can be activated when the system is starting. Second acceleration ramp time, adjustable from 0.1 to 999.9 s. The time required to accelerate from 0 to Rated motor frequency 306 (page 52). Make sure that this value is compatible with the inertia being driven. Visible only if PID feedback assignment 59.00 (page 66) and PID predictive speed 59.15 (page 67) are not set to 00 .	0.0 to 999.9 s	5.0 s
59.16 00 01	<input type="checkbox"/> PID correction reverse This parameter will reverse the internal error value of PID system. <input type="checkbox"/> No <input type="checkbox"/> Yes Visible only if PID feedback assignment 59.00 (page 66) is not set to 00 .		00
59.17 00 L1H L2H L3H L4H LUH	<input type="checkbox"/> PID auto/manual assignment At state 0 of input, PID is active. At state 1 of input, manual run is active. <input type="checkbox"/> No <input type="checkbox"/> L1h: LI1 active high <input type="checkbox"/> L2h: LI2 active high <input type="checkbox"/> L3h: LI3 active high <input type="checkbox"/> L4h: LI4 active high <input type="checkbox"/> LUh: LIU active high Visible only if PID feedback assignment 59.00 (page 66) is not set to 00 .		00
59.18 00 01 02	<input type="checkbox"/> PID manual reference This parameter can disable the PID and enable the standard manual reference. <input type="checkbox"/> No <input type="checkbox"/> Analog terminal <input type="checkbox"/> Integrated display with Jog dial Visible only if PID feedback assignment 59.00 (page 66) and PID auto/manual assignment 59.17 (page 68) are not set to 00 .		00
512.1 ()	<input type="checkbox"/> Low speed operating time A motor stop is requested automatically following a defined period of operation at Low speed 512.0 (page 84). The motor restarts if the frequency reference is greater than Low speed 512.0 and if a run command is still present. Note: 00 value corresponds to an unlimited period. Visible only if PID feedback assignment 59.00 (page 66) is not set to 00 .	0.1 to 999.9 s	00

() Parameter that can be modified during operation or when stopped.

Configuration Mode - Complete menu (FULL)

Code	Name/Description	Adjustment range	Factory setting
500 -	Function menu (continued)		
59 -	PID menu (continued)		
59.19	<input type="checkbox"/> PID: wake up level	0 to 100%	0%
	<p>If PID functions and Low speed operating time 5 12. 1 are set at the same time, the PID regulator may try to set a speed lower than Low speed 5 12.0. This will result in unwanted operations consisting of starting, running at Low speed 5 12.0, stopping and so on. Parameter PID: wake up level 59. 19 can be used to set a minimum PID error threshold to restart after a prolonged stop below Low speed 5 12.0.</p> <p>Visible only if PID feedback assignment 59. 00 (page 66) and Low speed operating time 5 12. 1 (page 68) are not set to 00.</p>		
59.20 ()	<input type="checkbox"/> PID: Wake up threshold	0 to 100%	0%
	<p>If PID correction reverse 59. 16 (page 68) is set to nO, this parameter can be used to set the PID feedback threshold. Following a stop caused by exceeding the maximum time at low speed 5 12. 1, the PID regulator is reactivated (wake-up) when this threshold is exceeded.</p> <p>If 59. 16 is set to 0 1, the PID regulator is reactivated (wake-up) when this threshold is exceeded, following a stop caused by exceeding the maximum time at low speed 5 12. 1.</p> <p>Visible only if PID feedback assignment 59. 00 (page 66) and Low speed operating time 5 12. 1 (page 84) is not set to 00.</p>		

 Parameter that can be modified during operation or when stopped.

Configuration Mode - Complete menu (FULL)

200 -
300 -
400 -
500 -
600 -
700 -

Code	Name/Description	Adjustment range	Factory setting
500 -	Function menu (continued)		
506 -	Speed up and down		
506.0	<input type="checkbox"/> Up speed command		00
00	00: Function inactive		
L 1H	L1H: LI1 active high		
L 2H	L2H: LI2 active high		
L 3H	L3H: LI3 active high		
L 4H	L4H: LI4 active high		
L UH	LUH: LIU active high		
506.1	<input type="checkbox"/> Down speed command		00
00	00: Function inactive		
L 1H	L1H: LI1 active high		
L 2H	L2H: LI2 active high		
L 3H	L3H: LI3 active high		
L 4H	L4H: LI4 active high		
L UH	LUH: LIU active high		
506.2	<input type="checkbox"/> Store		00
00	Up speed/down speed command will change the initial speed reference. Eventually it produces an overall "speed increment". This speed increment accumulates over time depending on the actions of Lix and Liy. It is therefore necessary to keep a record of speed incrementation when changing speed reference. Visible only if parameter 506.0 and 506.1 are configured.		
01	<input type="checkbox"/> Do not save. Variables not saved after the RUN command has disappeared.		
02	<input type="checkbox"/> Save to RAM. Variables saved to RAM after STOP command ends and disappear when power off.		
	<input type="checkbox"/> Save to ROM. Variables saved to ROM when power off.		

Configuration Mode - Complete menu (FULL)

Code	Name/Description	Adjustment range	Factory setting
506 -	Speed up and down (continued)		
506.3	<input type="checkbox"/> Clear the function When the CLEAR command is activated, acceleration and deceleration commands are deactivated. All speed increments are reset when the CLEAR command is activated, regardless of the save method used. Visible only if parameter 506.0 and 506.1 are configured.	0 - 100%	00
00 L1H L2H L3H L4H LUH 159	<input type="checkbox"/> [00], Function inactive <input type="checkbox"/> [L1H], LI1 active high <input type="checkbox"/> [L2H], LI2 active high <input type="checkbox"/> [L3H], LI3 active high <input type="checkbox"/> [L4H], LI4 active high <input type="checkbox"/> [LUH], LIU active high <input type="checkbox"/> The function is cleared when [159] acceleration and deceleration commands activate simultaneously.		
506.4	<input type="checkbox"/> Reactivity of +/- speed around ref. An experience value between 0 to 100% is used to change the rapidity of response for acceleration and deceleration command inputs. Visible only if parameters 506.0 and 506.1 are configured.	0 - 100%	0%
	<input type="checkbox"/> 0 ~ 100%(0)		

Preset speeds

2, 4, or 8 speeds can be preset, requiring 1, 2 or 3 logic inputs respectively.

Combination table for preset speed inputs

8 speeds LI (507.2)	4 speeds LI (507.1)	2 speeds LI (507.0)	Speed reference
0	0	0	Preset speed
0	0	1	Preset speed 2
0	1	0	Preset speed 3
0	1	1	Preset speed 4
1	0	0	Preset speed 5
1	0	1	Preset speed 6
1	1	0	Preset speed 7
1	1	1	Preset speed 9

Configuration Mode - Complete menu (FULL)

200-
300-
400-
500-
600-
700-

Code	Name/Description	Adjustment range	Factory setting
500-	Function menu (continued)		
507-	Preset speed menu		
507.0 <i>00</i> <i>L1H</i> <i>L2H</i> <i>L3H</i> <i>L4H</i> <i>LUH</i>	<input type="checkbox"/> 2 preset speeds <input type="checkbox"/> Function inactive <input type="checkbox"/> L1h: L1 high activation level <input type="checkbox"/> L2h: L12 active high <input type="checkbox"/> L3h: L13 active high <input type="checkbox"/> L4h: L14 active high <input type="checkbox"/> LUh: active high		00
507.1	<input type="checkbox"/> 4 preset speeds As 507.0		00
507.2	<input type="checkbox"/> 8 preset speeds As 507.0		00
507.3 ()	<input type="checkbox"/> Preset speed 2 Visible only if 2 preset speeds 507.0 is not set to 00 .	0 to 400 Hz	10 Hz
507.4 ()	<input type="checkbox"/> Preset speed 3 Visible only if 4 preset speeds 507.1 is not set to 00 .	0 to 400 Hz	15 Hz
507.5 ()	<input type="checkbox"/> Preset speed 4 Visible only if 2 preset speeds 507.0 and 4 preset speeds 507.1 are not set to 00 .	0 to 400 Hz	20 Hz
507.6 ()	<input type="checkbox"/> Preset speed 5 Visible only if 8 preset speeds 507.2 is not set to 00 .	0 to 400 Hz	25 Hz
507.7 ()	<input type="checkbox"/> Preset speed 6 Visible only if 2 preset speeds 507.0 and 8 preset speeds 507.2 are not set to 00 .	0 to 400 Hz	30 Hz
507.8 ()	<input type="checkbox"/> Preset speed 7 Visible only if 4 preset speeds 507.1 and 8 preset speeds 507.2 are not set to 00 .	0 to 400 Hz	35 Hz
507.9 ()	<input type="checkbox"/> Preset speed 8 Visible only if 2 preset speeds 507.0 , 4 preset speeds 507.1 and 8 preset speeds 507.2 are not set to 00 .	0 to 400 Hz	40 Hz
508 ()	<input type="checkbox"/> Skip frequency <input type="checkbox"/> This parameter prevents prolonged operation within an adjustable range around 508 frequency of ± 1 Hz. This function can be used to prevent a critical speed which would cause resonance being reached. Setting the function to 0 renders it inactive.	0 to 400 Hz	0 Hz

() Parameter that can be modified during operation or when stopped.

Configuration Mode - Complete menu (FULL)

Code	Name/Description	Adjustment range	Factory setting
59.21	<input type="checkbox"/> Sleep offset threshold 0 - 512.2 (*0)	0 to 512.2	0 Hz
59.22	<input type="checkbox"/> PID feedback supervision threshold 0 - 100% (*0)	0 - 100%	0 (No)
59.23	<input type="checkbox"/> PID supervision function time delay 0 - 300s (*0)	0 - 300s	0 s
()			
59.24	<input type="checkbox"/> Maximum frequency detection Hysteresis	0 to 512.2	0 Hz
()			
59.25	<input type="checkbox"/> PID feedback supervision		00
00 01 04	<input type="checkbox"/> Alarm ignore <input type="checkbox"/> Freewheel stop <input type="checkbox"/> Fall back speed		
59.26	<input type="checkbox"/> Fall back speed 0- high speed frequency (*0).	0 to 512.2	0 Hz
510 -	PUMP SUB-MENU		
207	<input type="checkbox"/> Application Overload time delay <input type="checkbox"/> Overload detection time delay <input type="checkbox"/> Value of zero will inactivate the function and make other parameters unaccessible. <input type="checkbox"/> 0 - 100s (*0)	0-100 s	5 s
208	<input type="checkbox"/> Application Overload threshold The overload detection threshold is expressed as a percentage of [Nominal motor current] (nCr). To activate the function, this value must be smaller than the limit current.	70 - 150 % In	90%
209	<input type="checkbox"/> Time delay before automatic start for the overload fault If [Overload fault management] (604.2) = [alarm ignore], then this parameter will be unaccessible. Minimum time allowed between overload detection and any automatic restart. To perform an automatic restart, the value of the [Automatic restart] (602.1) must exceed this parameter by at least one minute.	0-6 min.	0 min.
210	<input type="checkbox"/> Application underload time delay Value of zero will inactivate the function and make other parameters unaccessible.	0-100 s	0 s
211	<input type="checkbox"/> Application Underload threshold The underload threshold at zero frequency is expressed as a percentage of rated motor torque.	20%-100%	60%

 Parameter that can be modified during operation or when stopped.

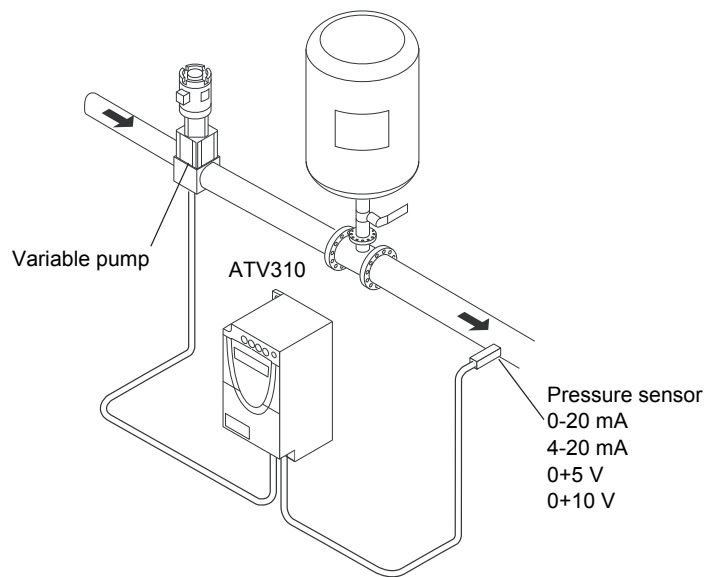
Configuration Mode - Complete menu (FULL)

Code	Name/Description	Adjustment range	Factory setting
2 12	<input type="checkbox"/> Underload fault duration Minimum time allowed between underload detection and any automatic restart. To perform an automatic restart, the value of the [Automatic restart] (6 0 2. 1) must exceed this parameter by at least one minute.	0-6 min.	-
5 10.0 0 0 0 1	<input type="checkbox"/> Selecting operating mode <input type="checkbox"/> No: single frequency conversion mode <input type="checkbox"/> Yes: single frequency conversion combined with auxiliary pump mode If 5 10.0 = [0 1], digital output L 0 will automatically assign value pump switching.		
5 10.1	<input type="checkbox"/> Starting frequency of the auxiliary pump The auxiliary pump will start if this frequency is exceeded and after the pump start time delay (value of 5 10.2).	0- 3 0 8 parameter value	5 12.2 parameter value
5 10.2	<input type="checkbox"/> Time delay before starting auxiliary pump This time avoids the effects of transient pressure fluctuations and so avoids vibrations generated during pump starting and stopping.	0-999.9s	2 s
5 10.3	<input type="checkbox"/> Auxiliary pump ramp reaching	0-999.9s	2 s
5 10.4	<input type="checkbox"/> Auxiliary pump stop frequency The auxiliary pump will stop below this frequency after the auxiliary pump stop delay (value of 5 10.5).	0- 3 0 8 parameter value	0Hz
5 10.5	<input type="checkbox"/> Auxiliary pump stop time delay This time avoids the effects of transient pressure fluctuations and so avoids vibrations generated during pump starting and stopping.	0-999.9s	2 s
5 10.6	<input type="checkbox"/> Auxiliary pump stop ramp	0-999.9s	2 s
5 10.7	<input type="checkbox"/> Zero flow detection period Function inactive if value is 0.	0-20 min.	0 min.
5 10.8	<input type="checkbox"/> Zero flow detection activation threshold Below this threshold function activated if 5 10.7 value >0 and the auxiliary pump is stopped.	0-400Hz	0Hz
5 10.9	<input type="checkbox"/> Zero flow detection offset	0-400Hz	0Hz

Configuration Mode - Complete menu (FULL)

Architecture of the pumping installation

Single variable mode - 1 single variable speed pump



Enter the values given on the motor rating plate in the Motor control menu 300-

First level adjustment parameters

5 0 1.0 Acceleration: 0.7 s

5 0 1.1 Deceleration: 0.7 s

5 1 2.0 Low speed: 30 Hz

5 1 2.2 high-speed: 60 Hz

Analog input menu AIt

2 0 4.0 Scale of analog input AI1: 0-20 mA

Motor control menu drC

3 1 1 Nominal motor slip: 0 Hz

3 1 3 Frequency loop gain: 70%

3 1 0 IR compensation: 0%

Application functions menu FUn

2 0 2 2-wire type control: LEL

PI sub-menu

5 9.0 0 Assignment of the PI function feedback: AI1

5 9.0 1 PI regulator proportional gain: 5.00

5 9.0 2 PI regulator integral gain: 8.00

5 9.1 1 Internal PI regulator reference: 39%

5 9.1 9 Restart error threshold: 40%

5 9.2 5 Supervision of the PI regulator function: LFF

5 9.2 2 PI feedback supervision threshold: 17%

5 9.2 3 PI feedback supervision function time delay: 1 s

5 9.2 6 Fallback speed: 50 Hz

Pump sub-menu PMP

5 1 0. 7 Zero flow detection: 1 min

5 1 0. 8 Zero flow detection activation threshold: 50 Hz

5 1 0. 9 Zero flow detection offset: 5 Hz

5 1 2. 1 Sleep threshold operating time: 3 s

5 9. 1 5 Quick start threshold: 25 Hz

5 9. 2 1 Sleep threshold offset: 10 Hz

Automatic DC injection sub-menu AdC

5 1 2. 0 Automatic DC injection assignment: nO

Automatic restart function Atr

6 0 2. 0 Automatic restart: YES

Fault menu 600-

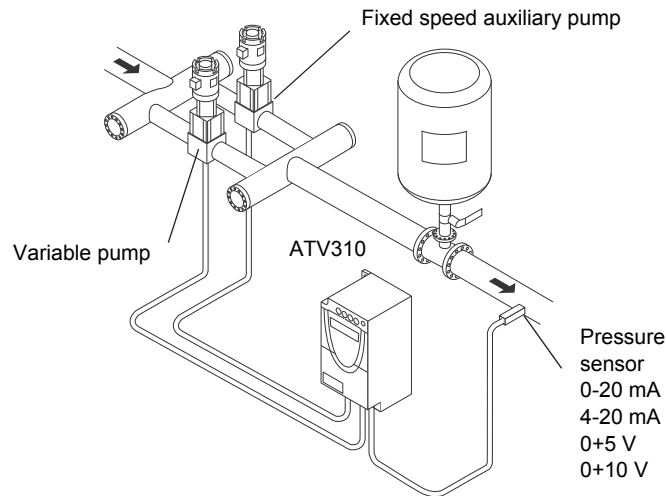
2 0 8 Overload threshold: 11%

2 0 9 Time delay before automatic start for the overload fault: 1

5 9. 2 4 Frequency hysteresis reached: 2 Hz

Configuration Mode - Complete menu (FULL)

Single variable with auxiliary pump mode - 1 variable speed pump (variable pump) and one fixed speed pump (auxiliary pump)



The auxiliary pump is controlled by the Altivar 12 via logic output LO.

Enter the values given on the motor rating plate in the Motor control menu 300-

First level adjustment parameters

- 5 0 1.0 Acceleration: 0.1 s
- 5 0 1.1 Deceleration: 0.1 s
- 5 1 2.0 Low speed: 35 Hz

Analog input menu 204-

- 2 0 4.0 Scale of analog input AI1: 0-20 mA

Motor control menu 300-

- 3 1 1 Nominal motor slip: 0 Hz
- 3 1 3 Frequency loop gain: 70%
- 3 1 0 IR compensation: 0%

Application functions menu FUN

- 2 0 2 2-wire type control: 00

PI sub-menu

- 5 9.0 0 Assignment of the PI function feedback: 01
- 5 9.0 1 PI regulator proportional gain: 5.00
- 5 9.0 2 PI regulator integral gain: 8.00
- 5 9.1 1 Internal PI regulator reference: 51%
- 5 9.1 9 Restart error threshold: 42%

Pump sub-menu PMP

- 5 10.0 Selecting the operating mode: 01 (Yes)
- 5 10.1 Starting frequency of the auxiliary pump: 49 Hz
- 5 10.2 Time delay before starting the auxiliary pump: 1 s
- 5 10.3 Ramp for reaching the nominal speed of the auxiliary pump: 1 s
- 5 10.4 Stopping frequency of the auxiliary pump: 39.6 Hz
- 5 10.5 Time delay before the auxiliary pump stop command: 1 s
- 5 10.6 Ramp for stopping the auxiliary pump: 1 s
- 5 10.7 Zero flow detection: 1 min
- 5 10.8 Zero flow detection activation threshold: 42 Hz
- 5 10.9 Zero flow detection offset: 2 Hz
- 5 12.1 Sleep threshold operating time: 5 s
- 5 9.2 1 Sleep threshold offset: 3 Hz
- 2 0 6.1 Assignment as logic/analog output PMP

Automatic DC injection sub-menu 504-

- 5 1 2.0 Automatic DC injection assignment: 00

Automatic restart function 602-

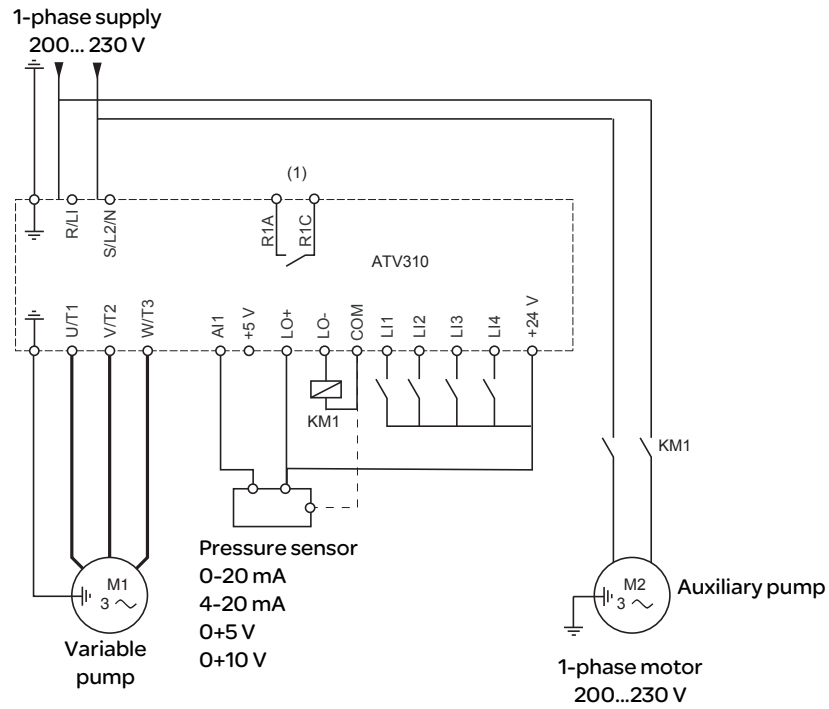
- 6 0 2.0 Automatic restart: 01 (active)

Fault menu 600-

- 2 1 0 Underload function time delay 5 s
- 2 1 1 Underload threshold: 59%
- 2 1 2 Time delay before automatic restart for the underload fault: 1

Configuration Mode - Complete menu (FULL)

Connection diagram



(1) Fault relay contacts, for remote indication of the drive status.

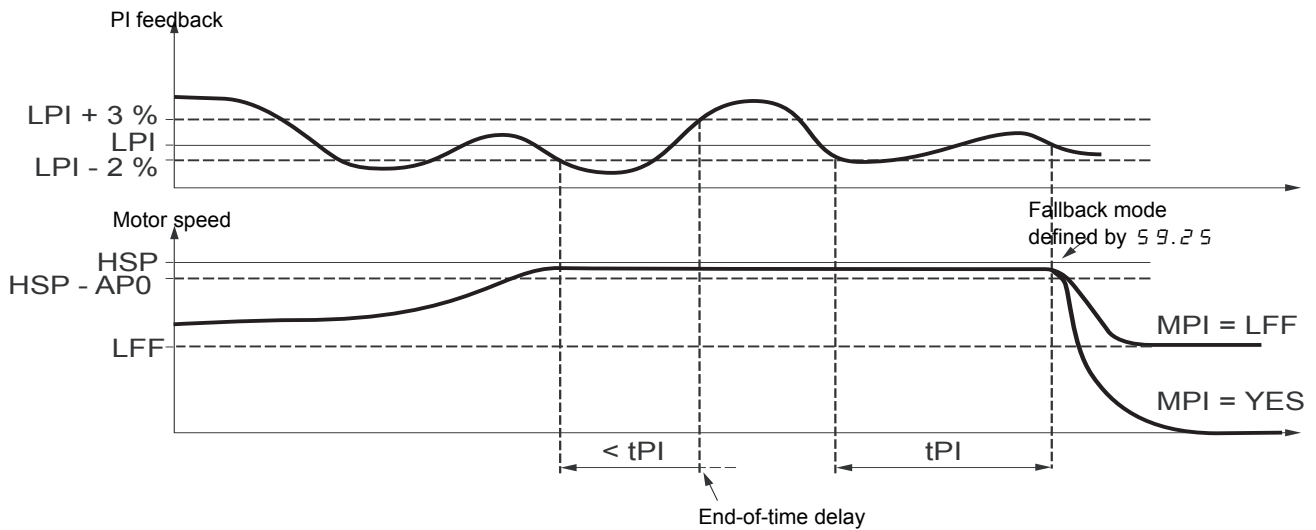
Note: Fit interference suppressors to all inductive circuits near the drive or connected to the same circuit (relays, contactors, solenoid valves, etc.).

Note: This wiring example is in source using internal supply.

Configuration Mode - Complete menu (FULL)

PI feedback supervision (59.25)

Used to define the operating mode in the event of detection of a PI feedback lower than the limit set.



Once the variable pump is running at maximum speed (higher than $512.2 - 59.24$) and at the same time the PI feedback is lower than the supervision threshold $59.22 - 2\%$, a time delay t_{PI} is launched. If at the end of this time delay the value of the PI feedback is still lower than the supervision threshold $59.22 + 3\%$, the drive switches to fallback mode as defined by parameter 59.25 .

- $59.25 = 01$:

The drive will perform a freewheel stop.

- $59.25 = 04$:

The drive will run at a fixed frequency 59.26 and will display fault code $- - 12$.

In both cases the drive reverts to PI regulation mode as soon as the PI feedback is higher than the supervision threshold $59.22 + 3\%$.

In single variable with auxiliary pump mode ($510.0 = 01$), the PI feedback supervision function is only active when both pumps are operating.

Configuration Mode - Complete menu (FULL)

Pump submenu PMP

The principal objective is to control a complete pumping installation using a single drive by providing constant pressure whatever the flow rate.

The system is operated using an auxiliary fixed speed pump, and one variable speed pump, which is unable to provide the full flow range required on its own. A PI regulator is used for drive control. The pressure sensor provides system feedback.

The variable speed pump is called a variable pump.

The fixed speed pump is called an auxiliary pump.

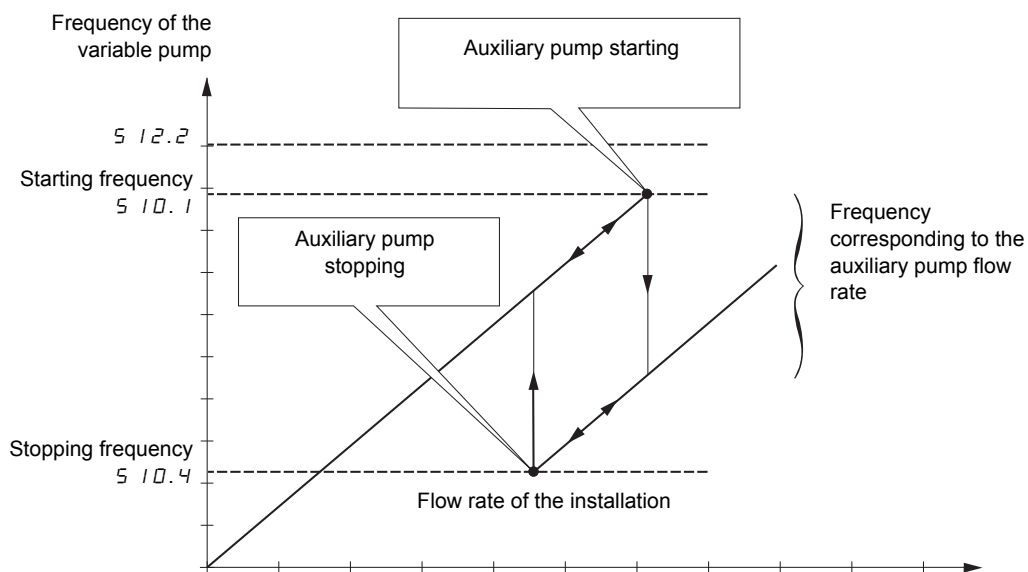
Selecting the operating mode

The ATV310 offers 2 operating modes:

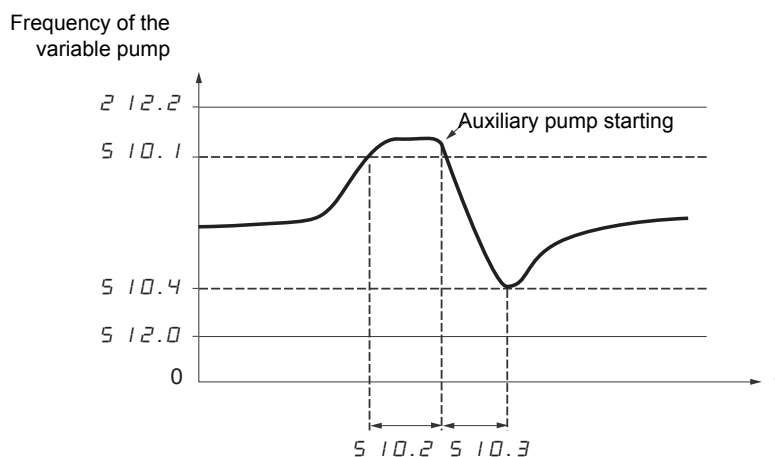
- Single variable mode: 1 single variable speed pump (variable pump).
- Single variable with auxiliary pump mode: 1 variable speed pump (variable pump) and one fixed speed pump (auxiliary pump).

Control of the auxiliary pump

The PI regulator output (frequency reference of the variable pump) is used to control starting or stopping of the auxiliary pump with hysteresis, as shown in the figure below:

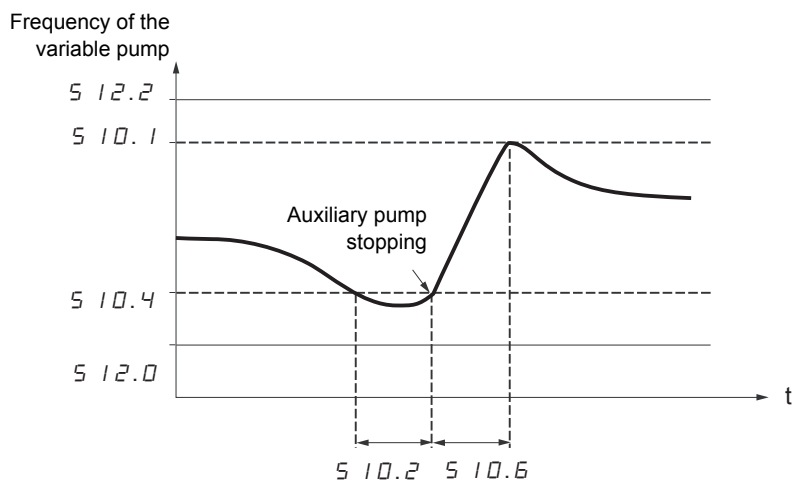


When the frequency exceeds the starting threshold (5 10.1), a time delay (5 10.2) is launched to avoid the effects of transient flow fluctuations. If after this time delay, the frequency remains higher than the starting threshold, the auxiliary pump is started. When the start command is sent, the variable pump will go from its current speed reference to the auxiliary pump stopping frequency (5 10.4) following a ramp (5 10.3) that equals the time taken for the auxiliary pump to reach its nominal speed. Parameter rOn is used to minimize the booster effect on starting the auxiliary pump.



Configuration Mode - Complete menu (FULL)

When the frequency is lower than the stopping threshold ($S\ 10.4$), a time delay is launched ($S\ 10.2$) to avoid the effects of transient flow fluctuations. If after this time delay, the frequency remains lower than the stopping threshold, the auxiliary pump is stopped. When the stop command is sent, the variable pump will go from its current speed reference to the auxiliary pump starting frequency ($S\ 10.1$) following a ramp ($S\ 10.5$) that equals the auxiliary pump stopping time. Parameter $S\ 10.5$ is used to minimize the booster effect on stopping the auxiliary pump.

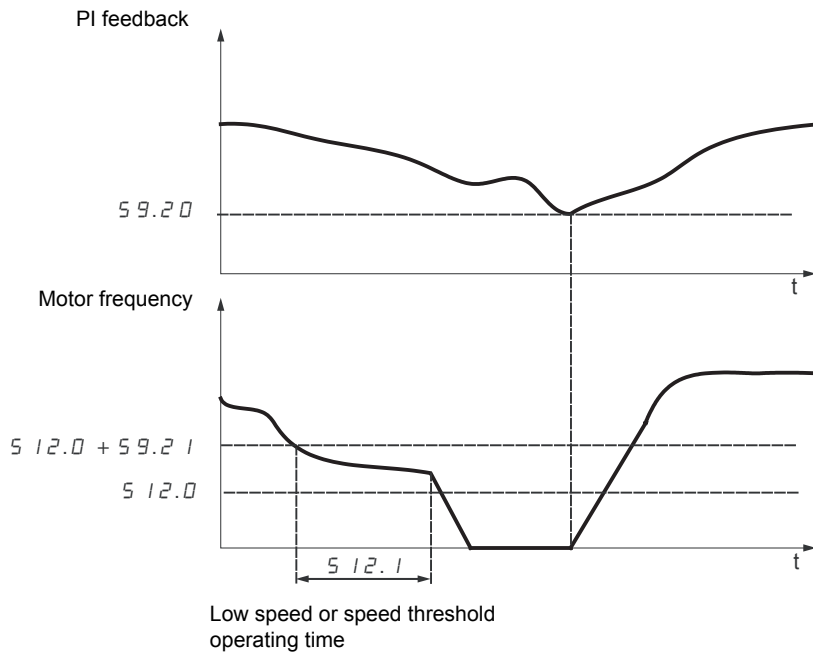


Configuration Mode - Complete menu (FULL)

"Sleep" function/"Wake-up" function

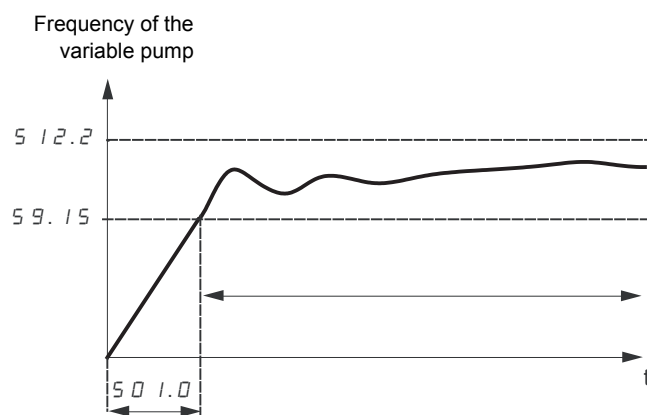
This function is used to stop the variable pump when there is zero flow (auxiliary pump stopped). In this case, if the frequency of the variable pump is lower than the "sleep" threshold ($S 12.0 + S 9.2 1$), a time delay ($S 12. 1$) is launched. If, after this time delay, the frequency remains lower than threshold $S 12.0 + S 9.2 1$, the variable pump then stops. The installation is in "sleep" mode.

To switch to "wake-up" mode, the pressure feedback must drop to below the "wake-up" threshold $S 9.2 0$. The variable pump is then started.



Quick start function

The quick start function can be used to overcome problems linked to high $S 9.0 1$ and $S 9.0 2$ gains (instability on starting). The drive accelerates until it reaches the quick start threshold $S 9. 15$ following a ramp $S 0 1.0$. Once the threshold has been reached, the PI regulator is activated.



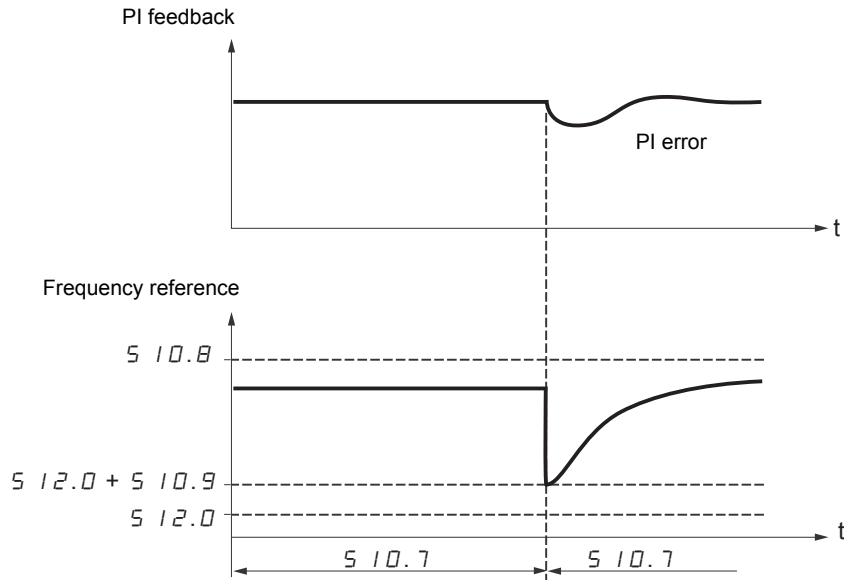
Configuration Mode - Complete menu (FULL)

Zero flow detection

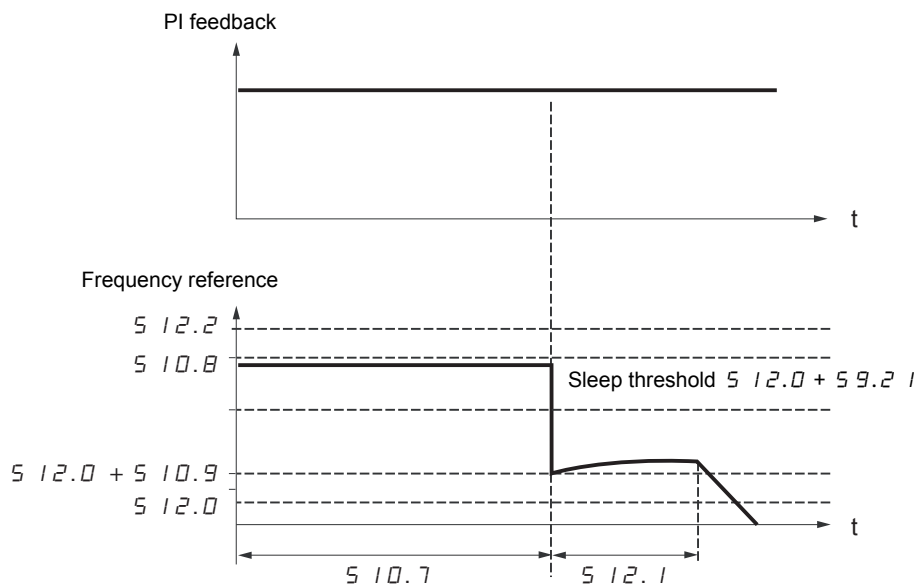
This function is only active when the auxiliary pump is stopped and the motor frequency is below threshold $S 10.8$.

This function is used in applications where zero flow cannot be detected by the sleep function alone. It forces the drive frequency reference to $S 12.0 + S 10.9$ periodically (at each time interval $S 10.7$) in order to test for zero flow.

- If the request is still present, the PI error increases, causing the drive to restart.



- If the request is no longer present (zero flow), the PI error will not increase.



- Set the sleep function so that the drive switches to sleep mode when zero flow is detected ($S 9.2 1 \leq S 9.2 1$).

Configuration Mode - Complete menu (FULL)

200 -
300 -
400 -
500 -
600 -
700 -

Code	Name/Description	Adjustment range	Factory setting
500 -	Function menu (continued)		
511 -	CURRENT LIMITATION MENU		
511.0	<input type="checkbox"/> 2nd current limitation commutation Assignment <input type="checkbox"/> Function inactive <input type="checkbox"/> L1H: LI1 active high <input type="checkbox"/> L2H: LI2 active high <input type="checkbox"/> L3H: LI3 active high <input type="checkbox"/> L4H: LI4 active high <input type="checkbox"/> LUH: LIU active high <input type="checkbox"/> L1L: LI1 active low <input type="checkbox"/> L2L: LI2 active low <input type="checkbox"/> L3L: LI3 active low <input type="checkbox"/> L4L: LI4 active low <input type="checkbox"/> LUL: LIU active low If the assigned input is at 0, the first current limitation is active. If the assigned input is at 1, the second current limitation is active. See LI assignment information (page 42).		00
511.1 ()	<input type="checkbox"/> Current limitation First current limitation.	0.25 to 1.5 In (1)	1.5 In
NOTICE			
OVERHEATING AND DAMAGE TO THE MOTOR Depending on the settings of this parameter, the error response to detected errors is disabled or the transition to the operating state Fault is suppressed if an error is detected. <ul style="list-style-type: none"> • Verify that the settings of this parameter do not result in equipment damage. • Implement alternative monitoring functions for disabled monitoring functions. Failure to follow these instructions can result in equipment damage.			
511.2 ()	<input type="checkbox"/> Current limitation 2 Second current limitation. This function allows reduction of the drive current limit. Visible only if 2nd current limitation commutation 511.0 (page 83) is not set to 00.	0.25 to 1.5 In (1)	1.5 In
NOTICE			
OVERHEATING AND DAMAGE TO THE MOTOR Depending on the settings of this parameter, the error response to detected errors is disabled or the transition to the operating state Fault is suppressed if an error is detected. <ul style="list-style-type: none"> • Verify that the settings of this parameter do not result in equipment damage. • Implement alternative monitoring functions for disabled monitoring functions. Failure to follow these instructions can result in equipment damage.			

(1) In = rated drive current

 Parameter that can be modified during operation or when stopped.

Configuration Mode - Complete menu (FULL)

200 -

300 -

400 -

500 -

600 -

700 -

Code	Name/Description	Adjustment range	Factory setting
500 -	Function menu (continued)		
512 -	Speed limit menu		
512.0 ()	<input type="checkbox"/> Low speed Motor frequency at minimum reference.	0 Hz to 512.2 parameter value	0 Hz
512.1 ()	<input type="checkbox"/> Low speed operating time Following operation at Low speed 512.0 for a defined period, a motor stop is requested automatically. The motor restarts if the reference value is greater than Low speed 512.0 and if a run command is still present. Note: 00 corresponds to an unlimited period.	0.1 to 999.9 s	00

Configuration Mode - Complete menu (FULL)

200 -
300 -
400 -
500 -
600 -
700 -

High speed configuration

The logic inputs enable selection of the desired high speed.


Desired High speed	Setting		Desired High speed	Setting	
	Parameter	State		Parameter	State
5 12.2	5 12.3	00	5 12.6	5 12.3	00
	5 12.4	00		5 12.4	assigned
5 12.5	5 12.3	assigned	5 12.7	5 12.3	assigned
	5 12.4	00		5 12.4	assigned

Code	Name/Description	Adjustment range	Factory setting
500 -	Function menu (continued)		
5 12 -	Speed limit menu		
5 12.2 ()	<input type="checkbox"/> High speed Motor frequency at maximum reference can be set in the range Low speed 5 12. 0 to Maximum frequency 308 (page 52). If 308 falls below the value defined for 5 12.2, 5 12.2 automatically drops to the new value of 308 .	512.0 to 308 parameter value	50 or 60 Hz determined by 301 parameter value, maximum 308 parameter value
5 12.3 00 L 1H L 2H L 3H L 4H L UH	<input type="checkbox"/> 2 High speed assignment <input type="checkbox"/> None <input type="checkbox"/> L1h: LI1 active high <input type="checkbox"/> L2h: LI2 active high <input type="checkbox"/> L3h: LI3 active high <input type="checkbox"/> L4h: LI4 active high <input type="checkbox"/> LUh: LIU active high		00
5 12.4 00 L 1H L 2H L 3H L 4H L UH	<input type="checkbox"/> 4 High speed assignment <input type="checkbox"/> None <input type="checkbox"/> L1h: LI1 active high <input type="checkbox"/> L2h: LI2 active high <input type="checkbox"/> L3h: LI3 active high <input type="checkbox"/> L4h: LI4 active high <input type="checkbox"/> LUh: LIU active high		00
5 12.5 ()	<input type="checkbox"/> High speed 2 Visible only if 2 High speed assignment 5 12. 3 is not set to 00 .	512.0 to 308	As 512.2 parameter value
5 12.6 ()	<input type="checkbox"/> High speed 3 Visible only if 4 High speed assignment 5 12. 4 is not set to 00 .	512.0 to 308	As 512.2 parameter value
5 12.7 ()	<input type="checkbox"/> High speed 4 Visible only if 2 High speed assignment 5 12. 3 and 4 High speed assignment 5 12. 4 are not set to 00 .	512.0 to 308	As with 512.2 parameter value
5 13 00 0 1	<input type="checkbox"/> Cooling fan control <input type="checkbox"/> Fan runs while drive is running <input type="checkbox"/> Temperature control mode, fan starting and stopping controlled on basis of IGBT temperature		01

() Parameter that can be modified during operation or when stopped.

Configuration Mode - Complete menu (FULL)

200 -
300 -
400 -
500 -
600 -
700 -

Code	Name/Description	Adjustment range	Factory setting
600 -	FAULT DETECTION MANAGEMENT MENU		
601	<input type="checkbox"/> Detected fault reset assignment Manual fault reset. <input type="checkbox"/> Function inactive <input type="checkbox"/> L1h: LI1 active high <input type="checkbox"/> L2h: LI2 active high <input type="checkbox"/> L3h: LI3 active high <input type="checkbox"/> L4h: LI4 active high <input type="checkbox"/> LUH: LIU active high Faults are reset when the assigned input or bit changes to 1, if the cause of the fault has disappeared. The STOP/RESET button on the graphic display terminal performs the same function. See also Diagnostics and Troubleshooting (page 97).		00
602 -	Automatic restart menu		
602.0	<input type="checkbox"/> Automatic restart This function can be used to automatically perform individual or multiple Fault Resets. If the cause of the error that has triggered the transition to the operating state Fault disappears within while this function is active, the drive resumes normal operation. While the Fault Reset attempts are performed automatically, the output signal "Operating state Fault" is not available. If the attempts to perform the Fault Reset are not successful, the drive remains in the operating state Fault and the output signal "Operating state Fault" becomes active.		00
	 WARNING		
	UNANTICIPATED EQUIPMENT OPERATION <ul style="list-style-type: none"> • Verify that activating this function does not result in unsafe conditions. • Verify that the fact that the output signal "Operating state Fault" is not available while this function is active does not result in unsafe conditions. Failure to follow these instructions can result in death, serious injury or equipment damage.		
	<input type="checkbox"/> Function inactive. <input type="checkbox"/> Automatic restart after locking on a detected fault, if the cause has disappeared and the other operating conditions permit the restart. The restart is performed by a series of automatic attempts separated by increasingly longer waiting periods: 1 s, 5 s, 10 s, then 1 minute for subsequent attempts. The drive status relay remains activated if this function is active. The speed reference and the operating direction must be maintained. Use 2 wire type control (Type of control 201 (page 44) = 00 and 2-wire type control 202 (page 47) = 00). If the restart has not taken place once the Max. automatic restart 602.1 has elapsed, the procedure is aborted and the drive remains locked until it is turned off and then on again. The detected faults which permit use of this function are listed on page 99.		
602.1	<input type="checkbox"/> Max. automatic restart <input type="checkbox"/> 5 min. <input type="checkbox"/> 10 min. <input type="checkbox"/> 30 min. <input type="checkbox"/> 1 hr <input type="checkbox"/> 2 hr <input type="checkbox"/> 3 hr <input type="checkbox"/> Infinite Visible only if Automatic restart 602.0 is not set to 00. This parameter can be used to limit the number of consecutive restarts on a recurrent fault.		5 min.

Configuration Mode - Complete menu (FULL)

Code	Name/Description	Adjustment range	Factory setting
600 -	FAULT DETECTION MANAGEMENT MENU (continued)		
603	<input type="checkbox"/> Catch on the fly This function is used to enable a smooth restart if the run command is maintained after the following events: <ul style="list-style-type: none"> • Loss of line supply or disconnection • Reset of current fault or automatic restart • Freewheel stop The speed given by the drive resumes from the estimated speed of the motor at the time of the restart, then follows the ramp to the reference speed. This function requires 2-wire level control.		00
00 01	<input type="checkbox"/> Function inactive <input type="checkbox"/> Function active		

Configuration Mode - Complete menu (FULL)

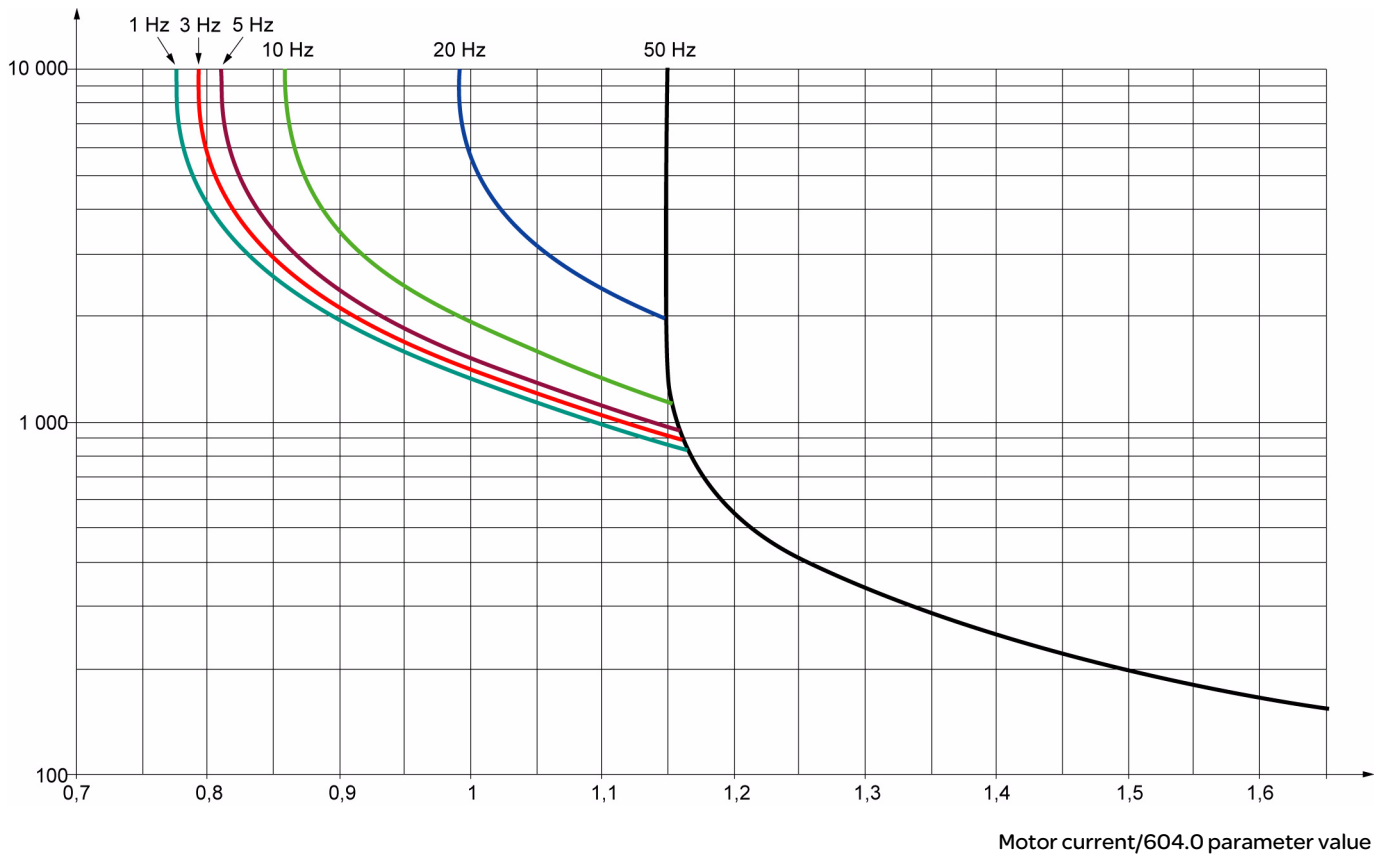
Motor thermal protection

Function:

Thermal protection by calculating the I^2t .

- Naturally-cooled motors:
The tripping curves depend on the motor frequency.
- Force-cooled motors:
Only the 50 Hz tripping curve need be considered, regardless of the motor frequency.

Trip time in seconds



Configuration Mode - Complete menu (FULL)

Code	Name/Description	Adjustment range	Factory setting
600 -	FAULT DETECTION MANAGEMENT MENU (continued)		
604 -	Motor Thermal Protection menu		
604.0 ()	<input type="checkbox"/> Motor thermal current Current used for motor thermal detection. Set I _{th} to the nominal current on the motor rating plate.	0.2 to 1.5 I _n (1)	Determined by drive rating
604.1 01 02	<input type="checkbox"/> Motor protection type <input type="checkbox"/> Self-ventilated <input type="checkbox"/> Motor-ventilated		01
604.2 00 01	<input type="checkbox"/> Overload fault management Type of stop in the event of a motor thermal fault. <input type="checkbox"/> Fault ignored <input type="checkbox"/> Freewheel stop Overload fault management Setting 604.2 to 00 inhibits the Motor overload fault F013 (page 99).		01
NOTICE			
OVERHEATING AND DAMAGE TO THE MOTOR If this parameter is set to 00, the error response to detected errors is disabled and the transition to the operating state Fault is suppressed. • Verify that the settings of this parameter do not result in equipment damage. • Implement alternative monitoring functions for disabled monitoring functions. Failure to follow these instructions can result in equipment damage.			
604.3 00 01	<input type="checkbox"/> Motor thermal state memo <input type="checkbox"/> Motor thermal state not stored at power off <input type="checkbox"/> Motor thermal state is stored at power off		00
600 -	FAULT DETECTION MANAGEMENT MENU (continued)		
605 00 01	<input type="checkbox"/> Output Phase loss ⚡ ⚠ DANGER HAZARD OF ELECTRIC SHOCK, EXPLOSION, OR ARC FLASH If output phase monitoring is disabled, phase loss and, by implication, accidental disconnection of cables, are not detected. Verify that the setting of this parameter does not result in unsafe conditions. Failure to follow these instructions will result in death or serious injury. <input type="checkbox"/> Function inactive <input type="checkbox"/> Tripping on F014 (1 phase loss) or F015 (3 phase loss) fault with freewheel stop.		01
606 00 01	<input type="checkbox"/> Input Phase loss This parameter is only accessible in this menu on 3-phases drives. <input type="checkbox"/> Fault ignored <input type="checkbox"/> Fault with freewheel stop If one phase disappears, the drive switches to fault mode, but if 2 or 3 phases disappear, the drive continues to operate until it trips on an undervoltage fault.		01

(1) I_n = rated drive current

 Parameter that can be modified during operation or when stopped.

Configuration Mode - Complete menu (FULL)

200 -
300 -
400 -
500 -
600 -
700 -

Code	Name/Description	Adjustment range	Factory setting
600 -	FAULT DETECTION MANAGEMENT MENU (continued)		
607 -	Undervoltage menu		
607.0 00 01	<input type="checkbox"/> Undervoltage detected fault management Behaviour of the drive in the event of an undervoltage <input type="checkbox"/> Detected fault and R1 relay open <input type="checkbox"/> Detected fault and R1 relay closed		00
607.1 00 02	<input type="checkbox"/> Undervoltage prevention Behaviour in the event of the undervoltage fault prevention level being reached <input type="checkbox"/> No action (freewheel) <input type="checkbox"/> Stop following an adjustable ramp Undervoltage ramp deceleration time 607.2 .		00
607.2 (C)	<input type="checkbox"/> Undervoltage ramp deceleration time Undervoltage prevention 607.1 = 02 gives this ramp time.	0.0 to 10.0 s	1.0 s
600 -	FAULT DETECTION MANAGEMENT MENU (continued)		
608 00 01	<input type="checkbox"/> IGBT Test <input type="checkbox"/> No test <input type="checkbox"/> The IGBTs are tested on power up and every time a run command is sent. These tests cause a slight delay (a few ms). In the event of a fault, the drive will lock. The following faults can be detected: - Drive output short-circuit (terminals U-V-W): F018, F019, F021 display - IGBT faulty: F020 display, where x indicates the number of the IGBT concerned IGBT short-circuited: x2F, where x indicates the number of the IGBT concerned		00
609 00 01	<input type="checkbox"/> 4-20mA loss Behaviour <input type="checkbox"/> Fault ignored. This configuration is only possible if AI1 current scaling parameter of 0% 204.1 (page 48) is not greater than 3 mA or AI1 type 204.0 = 0A . <input type="checkbox"/> Freewheel stop		00



To change the assignment of this parameter, press the ENT key for 2 s.



Parameter that can be modified during operation or when stopped.

Configuration Mode - Complete menu (FULL)

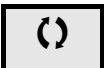
200 -
300 -
400 -
500 -
600 -
700 -

Code	Name/Description	Adjustment range	Factory setting
600 -	FAULT DETECTION MANAGEMENT MENU (continued)		
610	<p><input type="checkbox"/> Detected fault inhibition assignment</p> <p>In rare cases, the monitoring functions of the drive may be unwanted because they impede the purpose of the application. A typical example is a smoke extractor fan operating as a part of a fire protection system. If a fire occurs, the smoke extractor fan should operate as long as possible, even if, for example, the permissible ambient temperature of the drive is exceeded. In such applications, damage to or destruction of the device may be acceptable as collateral damage, for example, to keep other damage from occurring whose hazard potential is assessed to be more severe.</p> <p>A parameter is provided to disable certain monitoring functions in such applications so that automatic error detection and automatic error responses of the device are no longer active. You must implement alternative monitoring functions for disabled monitoring functions that allow operators and/or master control systems to adequately respond to conditions which correspond to detected errors. For example, if overtemperature monitoring of the drive is disabled, the drive of a smoke extractor fan may itself cause a fire if errors go undetected. An overtemperature condition can be, for example, signaled in a control room without the drive being stopped immediately and automatically by its internal monitoring functions.</p> <div style="background-color: black; color: white; text-align: center; padding: 5px;">⚠ DANGER</div> <div style="background-color: #f0f0f0; padding: 5px;">MONITORING FUNCTIONS DISABLED, NO ERROR DETECTION</div> <ul style="list-style-type: none"> • Only use this parameter after a thorough risk assessment in compliance with all regulations and standards that apply to the device and to the application. • Implement alternative monitoring functions for disabled monitoring functions that do not trigger automatic error responses of the drive, but allow for adequate, equivalent responses by other means in compliance with all applicable regulations and standards as well as the risk assessment. • Commission and test the system with the monitoring functions enabled. • During commissioning, verify that the drive and the system operate as intended by performing tests and simulations in a controlled environment under controlled conditions. <p>Failure to follow these instructions will result in death or serious injury.</p> <p>To assign fault inhibit, press and hold down the ENT key for 2 s.</p> <ul style="list-style-type: none"> <input type="checkbox"/> Function inactive <input type="checkbox"/> L1h: LI1 active high <input type="checkbox"/> L2h: LI2 active high <input type="checkbox"/> L3h: LI3 active high <input type="checkbox"/> L4h: LI4 active high <input type="checkbox"/> LUh: LIU active high <p>Following detected faults can be inhibited: F008, F025, F028, F011, F013, F014, F015, F016, F022, F024, F027, and F030.</p>	00	

00
L1H
L2H
L3H
L4H
LUH





To change the assignment of this parameter, press the ENT key for 2 s.



Parameter that can be modified during operation or when stopped.

Configuration Mode - Complete menu (FULL)

200 -
300 -
400 -
500 -
600 -
700 -

Code	Name/Description	Adjustment range	Factory setting
600 - FAULT DETECTION MANAGEMENT MENU (continued)			
611 00 01	<input type="checkbox"/> Modbus detected fault management Behaviour of the drive in the event of a communication fault with integrated Modbus. <input type="checkbox"/> Fault ignored <input type="checkbox"/> Freewheel stop		01
⚠ WARNING			
LOSS OF CONTROL If this parameter is set to 00, Modbus communication monitoring is disabled. <ul style="list-style-type: none"> • Only use this setting after a thorough risk assessment in compliance with all regulations and standards that apply to the device and to the application. • Only use this setting for tests during commissioning. • Verify that communication monitoring has been re-enabled before completing the commissioning procedure and performing the final commissioning test. Failure to follow these instructions can result in death, serious injury, or equipment damage.			
612 00 01	<input type="checkbox"/> Degraded line supply operation Lowers the tripping threshold of the F030 fault to operate on a line supply down to 50% of nominal line voltage. In this case, a line choke must be used and the performance of the drive controller cannot be guaranteed. <input type="checkbox"/> No <input type="checkbox"/> Yes		00
NOTICE			
RISK OF DAMAGE TO THE DRIVE A line choke must be used when the parameter 612 is set to 01. Failure to follow these instructions can result in equipment damage.			
613 00 07	<input type="checkbox"/> Reset power run This function will initialize the settings in the Monitor (800 -) section, menu 900 - (page 37). <input type="checkbox"/> No <input type="checkbox"/> Reset fan time display		00
614  00 01  2s	<input type="checkbox"/> Reset all previous detected faults via Run key If this function is active and the RUN key on the equipment panel is pressed for at least 2 s, some detected faults (1) can be reset. This function is only effective for 2-wire or 3-wire control. If type of control 201 (page 44) = 00 and 2 wire type control 202 (page 47) = 00 and the RUN command is still valid, the drive will run the motor after the fault is reset. To change the assignment of this parameter, press the ENT key for 2 s. (1) These errors include: F001, F002, F006, F008, F010, F014, F015, F017, F018, F019, F020, F021, F025, F027 and F028. <input type="checkbox"/> Inactive <input type="checkbox"/> Active		00
⚠ WARNING			
UNANTICIPATED EQUIPMENT OPERATION If parameter 614 is set to 1, pressing the RUN key for 2 s with clear and some detected errors (1). <ul style="list-style-type: none"> • Verify that activating this function does not result in unsafe conditions. • Only use this parameter after a thorough risk assessment in compliance with all regulations and standards that apply to the device and to the application. Failure to follow these instructions can result in death, serious injury, or equipment damage.			

Configuration Mode - Complete menu (FULL)

200 -
300 -
400 -
500 -
600 -
700 -

Code	Name/Description	Adjustment range	Factory setting
700 -	Communication menu		
	Note: For following parameters, the modifications will be taken into account only at the next control power on.		
701	<input type="checkbox"/> Modbus address Modbus address is adjustable in the range 0FF to 247 . When 0FF , communication is not active.	OFF to 247	OFF
702	<input type="checkbox"/> Modbus baud rate <input type="checkbox"/> 4.8 kbps <input type="checkbox"/> 9.6 kbps <input type="checkbox"/> 19.2 kbps <input type="checkbox"/> 38.4 kbps		19.2
24 28 32 36 703	<input type="checkbox"/> Modbus format <input type="checkbox"/> 8o1 <input type="checkbox"/> 8E1 <input type="checkbox"/> 8N1 <input type="checkbox"/> 8N2		8E1
704	<input type="checkbox"/> Modbus time out The drive detects a Modbus fault if the drive does not receive a Modbus request within a predefined time period (time out).	0.1 to 30 s	10 s
705 -	Input scanner menu (values are expressed in hexadecimal)		
705.0	<input type="checkbox"/> Com scanner read address parameter 1 Address of the 1st input word.		0C81
705.1	<input type="checkbox"/> Com scanner read address parameter 2 Address of the 2nd input word.		219C
705.2	<input type="checkbox"/> Com scanner read address parameter 3 Address of the 3rd input word.		8000
705.3	<input type="checkbox"/> Com scanner read address parameter 4 Address of the 4th input word.		8000
706 -	Output scanner menu (values are expressed in hexadecimal)		
706.0	<input type="checkbox"/> Com scanner write address parameter 1 Address of the 1st input word.		2135
706.1	<input type="checkbox"/> Com scanner write address parameter 2 Address of the 2nd input word.		219A
706.2	<input type="checkbox"/> Com scanner write address parameter 3 Address of the 3rd input word.		8000
706.3	<input type="checkbox"/> Com scanner write address parameter 4 Address of the 4th input word.		8000

Configuration Mode - Complete menu (FULL)

200 -
300 -
400 -
500 -
600 -
700 -

Code	Name/Description	Adjustment range	Factory setting
700 -	Communication menu (continued)		
707 -	Input scanner access menu (values are expressed in hexadecimal)		
707.0	<input type="checkbox"/> Com scanner read address value 1 Value of the 1st input word.		ETA value
707.1	<input type="checkbox"/> Com scanner read address value 2 Value of the 2nd input word.		RFRD value
707.2	<input type="checkbox"/> Com scanner read address value 3 Value of the 3rd input word.		0
707.3	<input type="checkbox"/> Com scanner read address value 4 Value of the 4th input word.		0
708 -	Output scanner access menu (values are expressed in hexadecimal)		
708.0 ()	<input type="checkbox"/> Com scanner write address value 1 Value of the 1st output word.		CMD value
708.1 ()	<input type="checkbox"/> Com scanner write address value 2 Value of the 2nd output word.		LFRD value
708.2 ()	<input type="checkbox"/> Com scanner write address value 3 Value of the 3rd output word.		0
708.3 ()	<input type="checkbox"/> Com scanner write address value 4 Value of the 4th output word.		0

 Parameter that can be modified during operation or when stopped.

Maintenance

Servicing

DANGER

HAZARD OF ELECTRIC SHOCK, EXPLOSION OR ARC FLASH

Read and understand the instructions in "Before your begin" chapter before performing any procedure in this chapter.

Failure to follow these instructions will result in death or serious injury.

The ATV310 does not require any preventive maintenance. However, it is advisable to perform the following checks regularly:

- Check environment and tightness of connections
- Ensure that the temperature around the unit remains at an acceptable level and that ventilation is effective. Average service life of fans: 10 years
- Remove any dust from the drive
- Ensure proper fan operation

Physical damage to covers

Services

NOTICE

RISK OF DAMAGE TO DRIVE

Perform the following activities.

Failure to follow these instructions can result in equipment damage.

Environment	Related parts	Actions	Periodicity
Product impact	Enclosure - Control panel (LED display)	Check drive display part	Once per month
Corrosion	Terminals - connectors - screws	Check and clean	
Dust	Terminals - fans - vents		
Temperature	Product setting	Check and optimize	
Cooling	Fan	Check fan operation	As required
		Replace fan	
Vibration	Terminal connections	Check connection torque	Once per month

Prolonged storage

For products that have been stored for more than 2 years, voltage should be gradually increased in product capacitors.

NOTICE

RISK OF DERATED PERFORMANCE DUE TO CAPACITOR AGING

The product capacitor performances after a long time storage above 2 years can be degraded. In that case, before using the product, apply the following procedure:

- Use a variable AC voltage supply, connected between L1 and L2 (even for ATV●●●●N4 references).
- Increase AC supply voltage to have:
 - 80% of rated voltage for 30 min
 - 100% of rated voltage for 30 min

Failure to follow these instructions can result in equipment damage.

Maintenance

Display menu

Use the status of the drive and its current values shown on the display menu as an aid for finding the causes of detected faults.

Assistance with maintenance, detected fault display

If a problem arises during setup or operation, ensure that the recommendations relating to the environment, mounting and connections have been observed.

The first fault detected is stored and displayed, flashing, on the screen. The drive locks and the status relay R1 contact opens.

Clearing the detected fault

Disconnect the drive power supply in the event of a non-resettable fault.

Wait for the display to go off completely.

Find the cause of the detected fault and correct it.

Restore power to the drive.

The detected fault will no longer be present if its cause has been corrected.

In the event of a non resettable detected fault:

- Remove/cut the power to the drive.
- WAIT 15 MINUTES to allow the DC bus capacitors to discharge, then follow the "Bus Voltage Measurement Procedure" (page 5) to verify that the DC voltage is less than 42 V. The drive LED is not an accurate indicator of the absence of DC bus voltage.
- Find and correct the detected fault.
- Restore power to the drive to confirm the detected fault has been rectified.
-

Certain detected faults can be programmed for automatic restart after the cause has disappeared.

These detected faults can also be reset by cycling power to the drive or by means of a logic input or control bit.

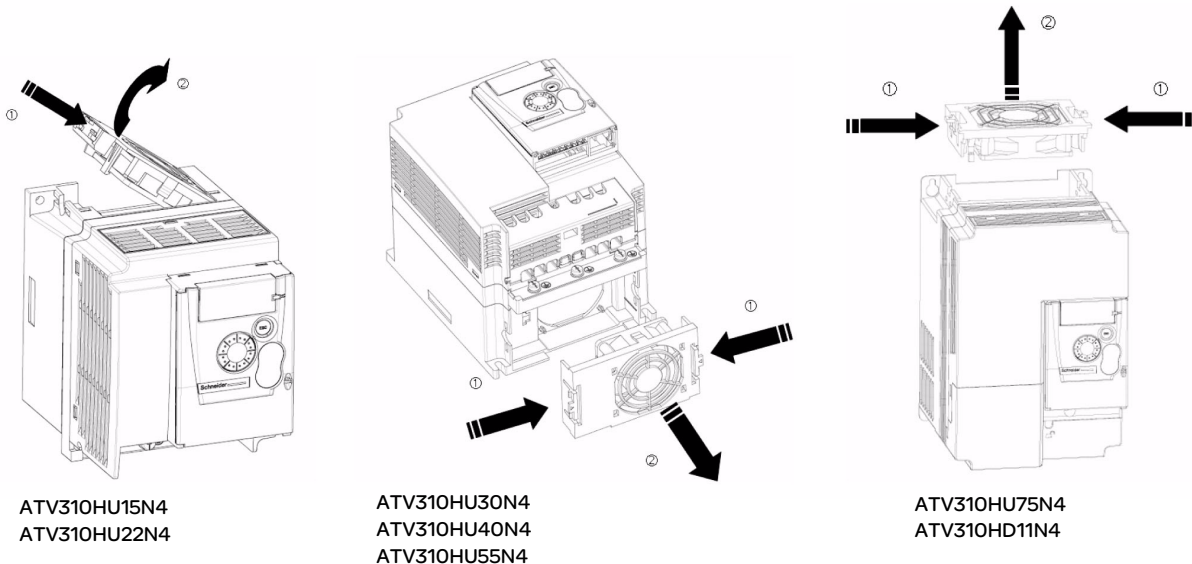
Spares and repairs:

Serviceable product. Refer to spares replacement catalogue.

Fan replacement

Fan spares can be ordered for the ATV310. Contact the Schneider Electric Customer Care Center for details.

- ① Grasp the protruding part of fan bayonet mount ② Uncouple the connected parts and remove the fan



Drive does not start, no error code displayed

- If the display does not light up, check the power supply to the drive (ground and input phase connections, see page 18).
- The assignment of the "Fast stop" or "Freewheel" functions will prevent the drive starting if the corresponding logic inputs are not powered up. The ATV310 then displays **502.1** in freewheel stop mode and **- - 01** in fast stop mode. **- - 00** is displayed at freewheel stop end. This is normal, since these functions are active at zero so drive can safely stop in case of wire break. Assignment of LI to be checked in the **C0nF/FULL/500 - /502 -** menu.
- Make sure that the run command input(s) is activated in accordance with the selected control mode (parameters in **C0nF/FULL/200 -** menu **Type of control 201** (page 44) and **2-wire type control 202** (page 47).
- If the reference channel or command channel is assigned to Modbus, the drive displays "**502.1**" freewheel stop when the power supply is connected and remains in stop mode until the communication bus sends a command.
- "RUN" key is inactive in factory setting. Adjust parameters **Reference channel 401** (page 58) and **Command channel 407** (page 59) to control the drive locally (**C0nF/FULL/400 -** menu). See "How to control the drive locally" (page 45).

Fault detection codes which cannot be cleared automatically

The cause of the detected fault must be removed before resetting by cycling power to the drive.

F025 and **F028** faults can also be reset remotely by means of a logic input (in **C0nF/FULL/600 -** menu, parameter **Detected fault reset assignment 601** (page 86).

F007, **F025** and **F028** faults can be inhibited and cleared remotely by means of a logic input (parameter **Detected fault inhibition assignment 610** (page 91).

Code	Name	Possible causes	Remedy
F001	Precharge	<ul style="list-style-type: none"> • Charging relay control fault or charging resistor damaged 	<ul style="list-style-type: none"> • Turn the drive off and then back on again. • Check the connections. • Check the stability of the main supply. • Contact local Schneider Electric representative.
F002	Unknown drive rating	<ul style="list-style-type: none"> • Power card and stored card versions different 	<ul style="list-style-type: none"> • Contact local Schneider Electric representative.
F003	Unknown or incompatible power board	<ul style="list-style-type: none"> • The power card is incompatible with the control card 	<ul style="list-style-type: none"> • Contact local Schneider Electric representative.
F004	Internal serial link fault	<ul style="list-style-type: none"> • Communication interruption between the internal cards 	<ul style="list-style-type: none"> • Contact local Schneider Electric representative.
F005	Invalid industrialization zone	<ul style="list-style-type: none"> • Internal data inconsistent 	<ul style="list-style-type: none"> • Contact local Schneider Electric representative.
F006	Current measurement circuit	<ul style="list-style-type: none"> • Current measurement is not correct due to hardware circuit fault 	<ul style="list-style-type: none"> • Contact local Schneider Electric representative.
- - - -	Problem with application firmware	<ul style="list-style-type: none"> • Invalid application firmware update using the Multi-Loader tool 	<ul style="list-style-type: none"> • Re-download application firmware.
F007	Internal thermal sensor detected fault	<ul style="list-style-type: none"> • The drive temperature sensor is not operating correctly • The drive is in short circuit or open 	<ul style="list-style-type: none"> • Contact local Schneider Electric representative.
F008	Internal CPU	<ul style="list-style-type: none"> • Internal microprocessor fault 	<ul style="list-style-type: none"> • Turn the drive off and then back on again. • Contact local Schneider Electric representative.

Fault detection codes that cannot be cleared automatically (continued)

Code	Name	Possible causes	Remedy
F 0 1 0	Overcurrent	<ul style="list-style-type: none"> Parameters in the Motor control menu 3 0 0 - page 52 are not correct Inertia or load too high Mechanical locking 	<ul style="list-style-type: none"> Check the parameters. Check the size of the motor/drive/load. Check the state of the mechanism. Connect line motor chokes. Reduce the Switching frequency range 3 1 5 page 54. Check the ground connection of drive, motor cable and motor insulation.
F 0 1 8	Motor short-circuit	<ul style="list-style-type: none"> Short-circuit or grounding at the drive output Ground fault while in run state Motor switching while in run state Significant current leakage to ground while several motors are connected in parallel 	<ul style="list-style-type: none"> Check the cables connecting the drive to the motor and the motor insulation. Connect line motor chokes.
F 0 1 9	Ground short-circuit		
F 0 2 0	IGBT short circuit	<ul style="list-style-type: none"> Internal power component short circuit detected at power on 	<ul style="list-style-type: none"> Contact local Schneider Electric representative.
F 0 2 5	Overspeed	<ul style="list-style-type: none"> Instability Overspeed associated with the inertia of the application 	<ul style="list-style-type: none"> Check the motor. If overspeed is 10% more than Top frequency 3 0 8 (page 52) adjust this parameter if necessary. Add a braking resistor. Check the size of the motor/drive/load. Check parameters of the speed loop (gain and stability).
F 0 2 8	Autotuning fault	<ul style="list-style-type: none"> Motor not connected to the drive Motor phase loss Special motor Motor is rotating (being driven by the load, for example) 	<ul style="list-style-type: none"> Check that the motor/drive are compatible. Check that the motor is present during autotuning. If an output contactor is being used downstream, close it during auto-tuning. Check that the motor is completely stopped.

Fault detection codes that can be cleared with the automatic restart function, after the cause has disappeared

These faults can also be cleared by turning on and off or by means of a logic input (parameter [Detected fault reset assignment 6 0 1](#) (page 86). F011, F013, F014, F015, F016, F022, F024 and F027 faults can be inhibited and cleared by means of a logic input [[Detected fault inhibition assignment 6 1 0](#) (page 91)].

Code	Name	Possible causes	Remedy
F 0 3 3	AI1 current loss	Detected if: <ul style="list-style-type: none"> Analog input AI1 is configured as current AI1 current scaling parameter of 0% 2 0 4. 1 (page 48) is greater than 3 mA Analog input current is lower than 2 mA 	<ul style="list-style-type: none"> Check the terminal connection.
F 0 0 9	Overbraking	<ul style="list-style-type: none"> Sudden braking or load inertia too high 	<ul style="list-style-type: none"> Increase the deceleration time. Install a module unit with a braking resistor if necessary. Check the main supply voltage to ensure it is under the maximum acceptable (20% over maximum main supply during run status).
F 0 1 1	Drive overheating	<ul style="list-style-type: none"> Drive temperature too high 	<ul style="list-style-type: none"> Check the motor load, the drive ventilation and the ambient temperature. Wait for the drive to cool down before restarting. See Mounting and temperature conditions on page 12.
F 0 1 2	Process overload	<ul style="list-style-type: none"> Process overload 	<ul style="list-style-type: none"> Check that drive parameters and application processes are compatible.
F 0 1 3	Motor overload	<ul style="list-style-type: none"> Triggered by excessive motor current 	<ul style="list-style-type: none"> Check configuration of motor thermal protection and motor load.
F 0 1 4	1 Output phase loss	<ul style="list-style-type: none"> Loss of one phase on drive output 	<ul style="list-style-type: none"> Check the connections from the drive to the motor. If using a downstream contactor, make sure the connection, cable and contactor are right.
F 0 1 5	3 Output phases loss	<ul style="list-style-type: none"> Motor not connected Motor power too low, below 6% of the rated drive current Output contactor open Transient instability in the motor current 	<ul style="list-style-type: none"> Check the connections from the drive to the motor. Test on a low power motor or without a motor. In factory settings mode, motor phase loss detection is active Output Phase loss detection 6 0 5 page 89 = 0 1. To check the drive in a test or maintenance environment, without having to use a motor with the same rating as the drive, deactivate motor phase loss detection Output Phase loss detection 6 0 5 = 0 0. Check and optimize IR compensation 3 1 0 page 53, Rated motor voltage 3 0 4 page 52 and Rated motor voltage 3 0 5 page 52 and then perform Auto-tuning 3 1 8 page 55.
F 0 1 6	Main overvoltage	<ul style="list-style-type: none"> Line voltage too high: <ul style="list-style-type: none"> At drive power on, supply is 10% over the maximum acceptable voltage level At power with no run command, 20% over maximal line supply Disturbed mains supply 	<ul style="list-style-type: none"> Turn Off the Drive. Check and adjust the line voltage. After line come back to nominal voltage (within tolerance) do power On. If intermittent F 0 1 6 code appear, set R1 assignment 2 0 5 to 0 1 and it can be connected to upstream protection to avoid overvoltage in the drive. In this case LO1 can be used for others drive status see page 48

Diagnostics and Troubleshooting

Fault detection codes that can be cleared with the automatic restart function, after the cause has disappeared (continued)

Code	Name	Possible causes	Remedy
F017	Input phase loss	<ul style="list-style-type: none"> • Drive incorrectly supplied or a fuse blown • Failure of one phase • 3-phase ATV310 used on a single-phase line supply • Unbalanced load • This protection only operates with the drive on load 	<ul style="list-style-type: none"> • Check the power connection and the fuses. • Use a 3-phase line supply. • Disable reporting of this fault type by setting Input Phase loss detection detection 606 (page 89) to 00.
F021	Load short circuit	<ul style="list-style-type: none"> • Short-circuit at drive output • Short circuit detection at the run command or DC injection command if parameter IGBT Test 608 (page 90) is set to 01 	<ul style="list-style-type: none"> • Check the cables connecting the drive to the motor and the condition of motor insulation.
F022	Modbus interruption	<ul style="list-style-type: none"> • Interrupted communication on the Modbus network 	<ul style="list-style-type: none"> • Check the connections of communication bus. • Check the time-out (parameter Modbus time out 704 page 93). • Refer to the Modbus user manual.
F024	HMI communication	<ul style="list-style-type: none"> • Communication interruption with the external display terminal 	<ul style="list-style-type: none"> • Check the terminal connection.
F029	Process underload	<ul style="list-style-type: none"> • Process underload • Time that motor current is below the Application Underload threshold 211 (page 50) exceeds the Application underload time delay 210 (page 50) to protect the application 	<ul style="list-style-type: none"> • Check that drive parameters and application processes are compatible.
F027	IGBT overheat	<ul style="list-style-type: none"> • Drive overheated • IGBT internal temperature is too high for the ambient temperature and load. 	<ul style="list-style-type: none"> • Check the size of the load/motor/drive. • Reduce the Switching frequency 315 page 54. • Wait for the drive to cool down before restarting.

Diagnostics and Troubleshooting

Fault detection codes that will be cleared as soon as their causes disappear

USF faults can be inhibited and cleared remotely by means of a logic input parameter [Detected fault inhibition assignment 6 I 0](#) (page 91).

Code	Name	Possible causes	Remedy
F 0 3 1	Incorrect configuration	<ul style="list-style-type: none">HMI block replaced by an HMI block configured on a drive with a different ratingThe current configuration of customer parameters is inconsistent	<ul style="list-style-type: none">Return to factory settings or retrieve the backup configuration, if it is valid.If the fault remains after reverting to the factory settings, contact your local Schneider Electric representative.
F 0 3 2 (1)	Invalid configuration	<ul style="list-style-type: none">Invalid configurationThe configuration loaded in the drive via the bus or communication network is inconsistent.The configuration upload has been interrupted or is not fully finished	<ul style="list-style-type: none">Check the configuration loaded previously.Load a compatible configuration.
F 0 3 0	Undervoltage	<ul style="list-style-type: none">Line supply too lowTransient voltage dip	<ul style="list-style-type: none">Check the voltage and parameters on the Undervoltage phase loss menu 6 0 7 - (page 90).

(1) When the CFI is present in the previous fault menu, it means the configuration has been interrupted or is not fully finished.

Some detected faults that are reset by pressing the RUN key

See [Reset all previous detected faults via Run key F 6 I 4](#) parameter (page 92).

HMI block changed

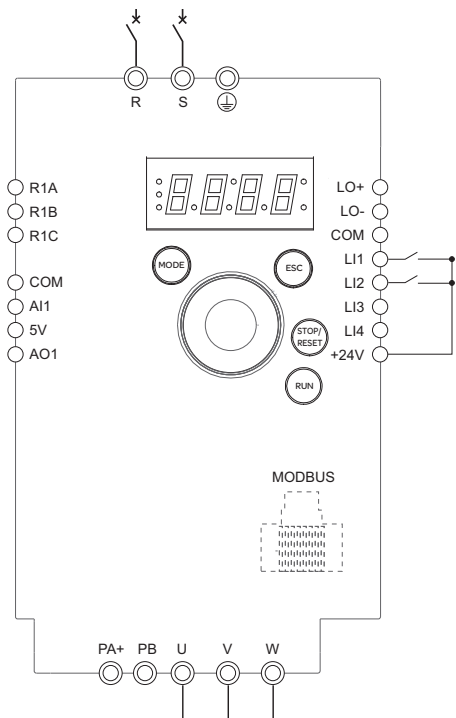
When an HMI block is replaced by an HMI block configured on a drive with a different rating, the drive locks in Incorrect configuration **F 0 3 1** fault mode on power-up. If the card has been deliberately changed, the fault can be cleared by returning to factory setting.

Fault detection codes displayed on the remote display terminal

Code	Name	Description
<i>In IE:</i>	Auto-initialization on start	<ul style="list-style-type: none"> Macro controller initialization Searching communication configuration
<i>C O N . E</i> (1)	Communication error	<ul style="list-style-type: none"> 50 ms time out error This message appears after 220 retry attempts
<i>A - 1 7</i> (1)	Key alarm	<ul style="list-style-type: none"> Key pressed down for longer than 10 seconds Membrane switch disconnected Display terminal woken up while a key is being pressed
<i>c L r</i> (1)	Confirm fault reset	<ul style="list-style-type: none"> This message appears if the STOP key is pressed while the display terminal is displaying a fault
<i>d E U . E</i> (1)	Drive mismatch	<ul style="list-style-type: none"> Drive type (brand) does not match display terminal type (brand)
<i>r O N . E</i> (1)	ROM abnormality	<ul style="list-style-type: none"> ROM abnormality detected by checksum calculation
<i>r A N . E</i> (1)	RAM abnormality	<ul style="list-style-type: none"> Display terminal RAM abnormality detected
<i>C P U . E</i> (1)	Other fault	<ul style="list-style-type: none"> The other detected fault

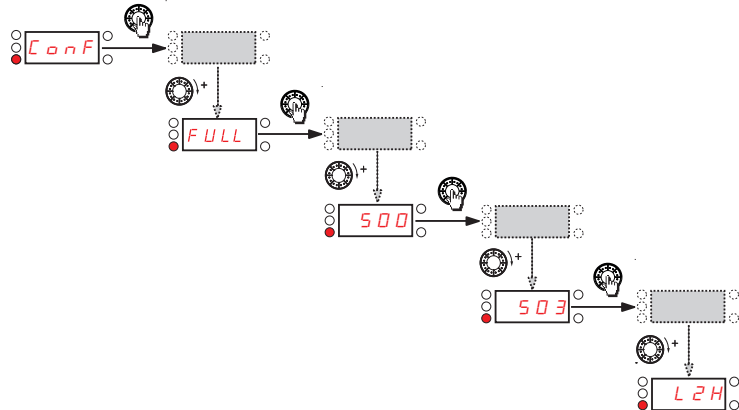
(1) Flashing

2-wire type control (source)



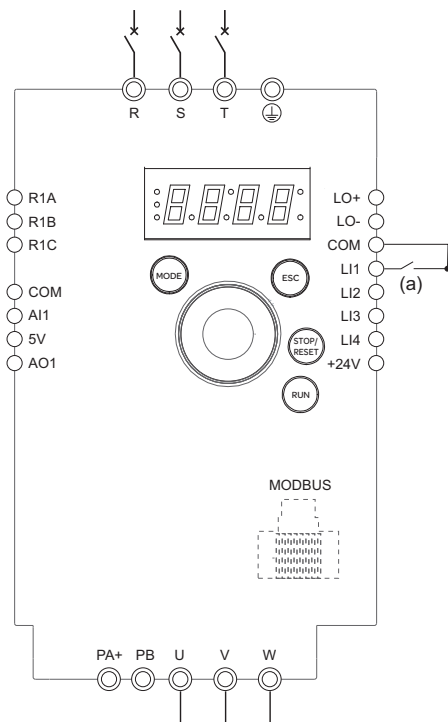
(a): Run Forward (b): Run Reverse

1. Connect the ground terminal to the grounding screws located below the output terminals.
2. Connect the power terminals.
3. Connect the logic inputs.
4. Turn on the drive without giving a run command.
5. Assign factory settings to the drive, i.e. **Factory/recall customer parameter set 102** (page 42) = **64**.
6. Set the motor parameters (in **CO n F** mode) only if the factory configuration of the drive is not suitable.
7. Perform an auto-tuning.
8. Set parameter **Reverse direction 503** (page 62) to **L 2 H**.



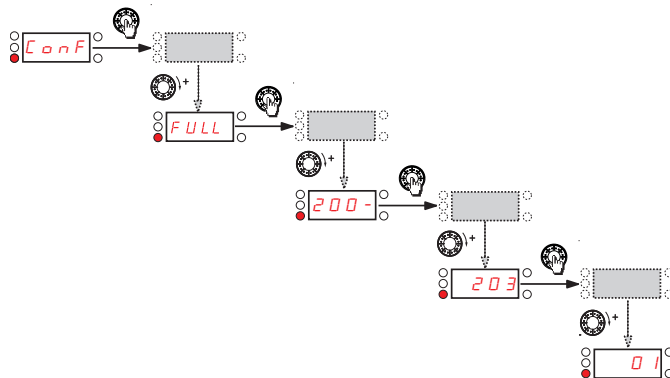
9. Start

2-wire control (sink)



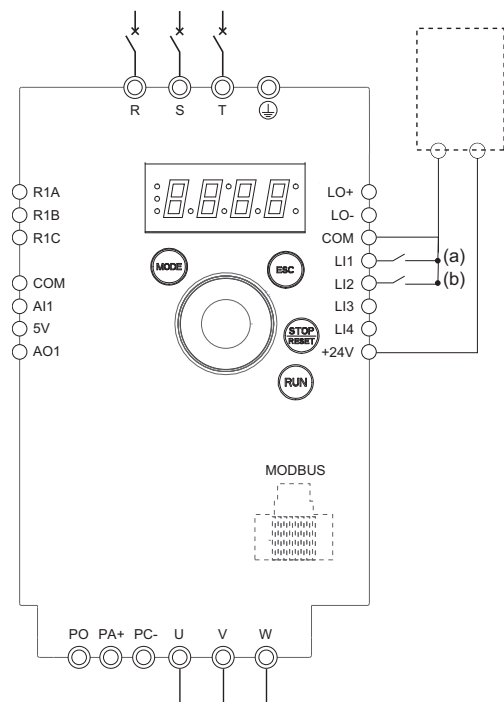
(a): Run Forward

1. Connect the ground terminal to the grounding screws located below the output terminals.
2. Connect the power terminals.
3. Connect the logic inputs.
4. Turn on the drive without giving a run command.
5. Assign factory settings to the drive, i.e. **Factory/recall customer parameter set 102** (page 42) = **64**.
6. Set **201** to **00** (see page 44).
7. Set the motor parameters (in **CO n F** mode) only if the factory configuration of the drive is not suitable.
8. Perform an auto-tuning.
9. Set parameter **Logic inputs type 203** (page 47) to **01**.



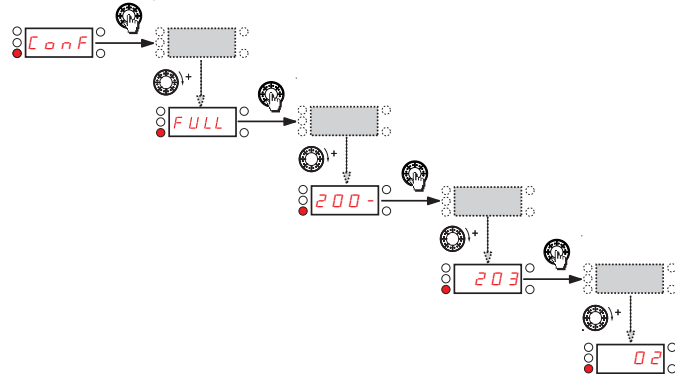
10. Start

3-wire control (sink)



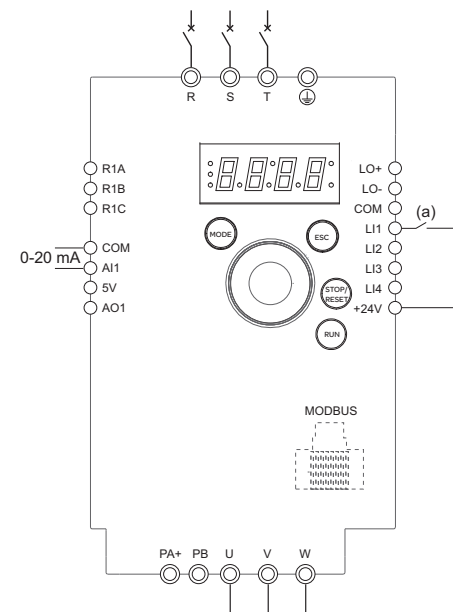
(a): Run Forward (b): Run Reverse

1. Connect the ground terminal to the grounding screws located below the output terminals.
2. Connect the power terminals.
3. Connect the logic inputs.
4. Turn on the drive without giving a run command.
5. Assign factory settings to the drive, i.e. **Factory/recall customer parameter set 102** (page 42) = **64**.
6. Set **201** to **01** (see page 44).
7. Set the motor parameters (in **CONF** mode) only if the factory configuration of the drive is not suitable.
8. Perform an auto-tuning.
9. Set parameter **Logic inputs type 203** (page 47) to **02**.



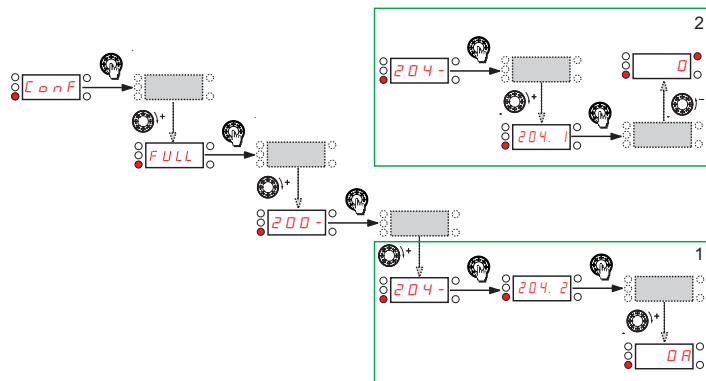
10. Start

Speed control 0-20 mA (source)



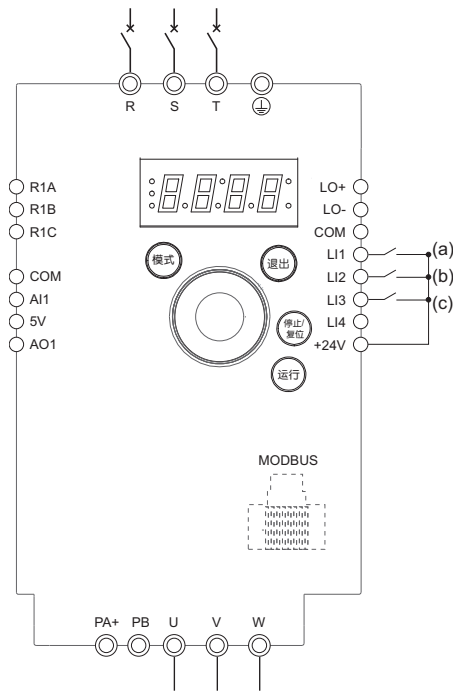
(a) Run Forward

1. Connect the ground terminal to the grounding screws located below the output terminals.
2. Connect the power terminals.
3. Connect the logic input LI1 and analog input AI1.
4. Turn on the drive without giving a run command.
5. Assign factory settings to the drive, i.e. **Factory/recall customer parameter set 102** (page 42) = **64**.
6. Set the motor parameters (in **CONF** mode) only if the factory configuration of the drive is not suitable.
7. Perform an auto-tuning.
8. Set **AI1 type 204.0** (page 48) to **0A**, **AI1 current scaling parameter of 0% 204.1** (page 48) to **0A**.
Check that **AI1 current scaling parameter of 100% 204.2** (page 48) is set to **20 mA**.



9. Start

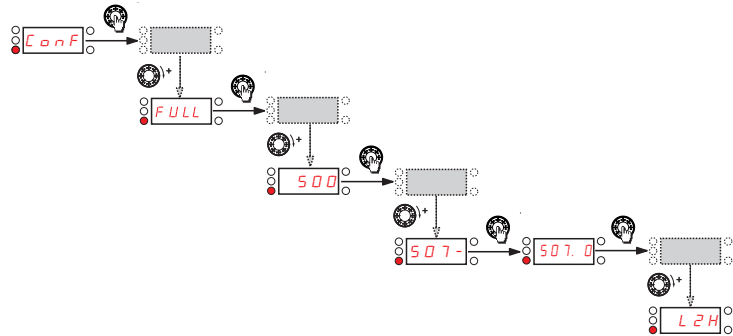
4 preset speeds (source)



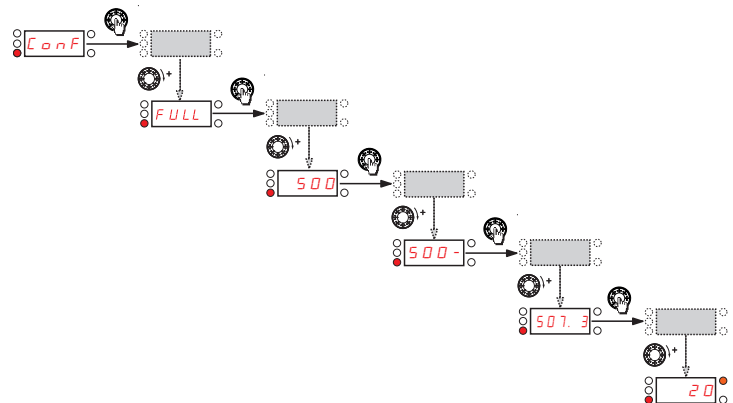
(a): Run Forward
 (b): 2 preset speeds (c): 4 preset speeds

Important: Please refer to Function compatibility table (page 32).

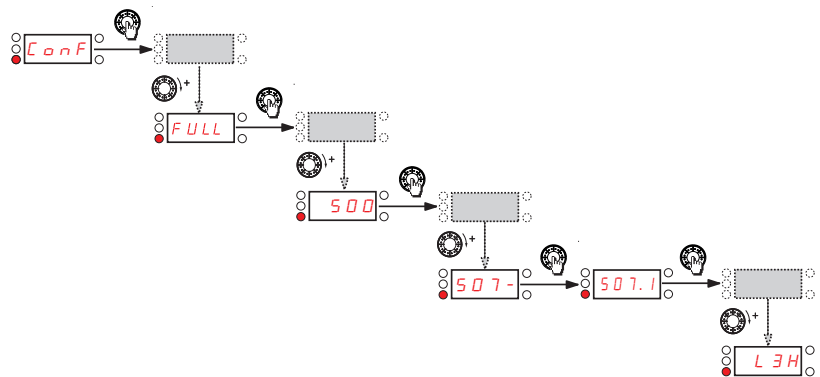
1. Connect the ground terminal to the grounding screws located below the output terminals.
2. Connect the power terminals.
3. Connect the logic inputs.
4. Turn on the drive without giving a run command.
5. Assign factory settings to the drive, i.e. **Factory / recall customer parameter set 102** (page 42) = **64**.
6. Set the motor parameters (in CONf mode) only if the factory configuration of the drive is not suitable.
7. Perform an auto-tuning.
8. Set **2 preset speeds 507.0** (page 72) to **L2H**.



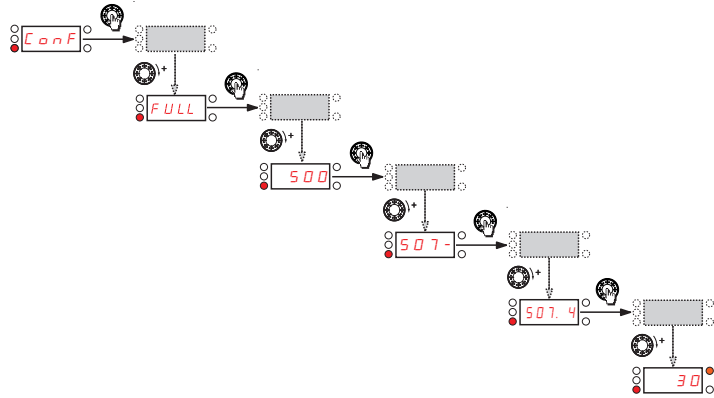
9. Set **Preset speed 2 507.3** (page 72) to 20 Hz.



- Set **preset speed 4 507.1** (page 72) to **L3H**.

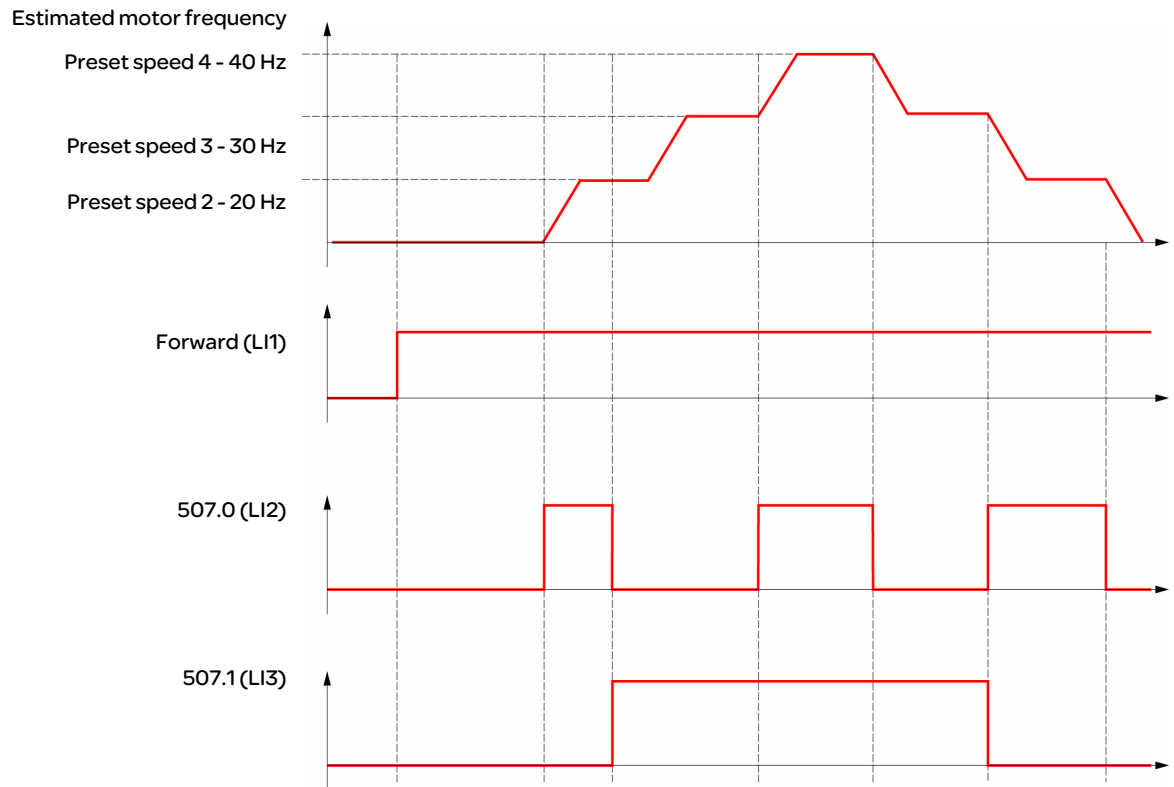
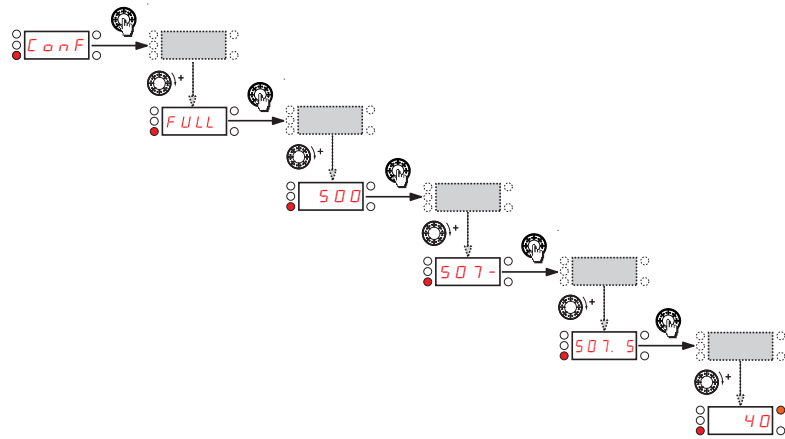


Set Preset speed 3 5 0 7. 4 (page 72) to 30 Hz.

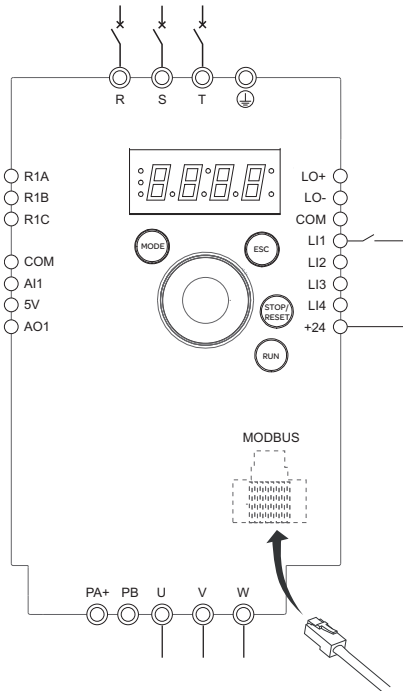


4 preset speeds (source) *continued*

Set Preset speed 4 **5 0 7 . 5** (page 72) to 40 Hz.



Terminal command channel and Modbus reference channel

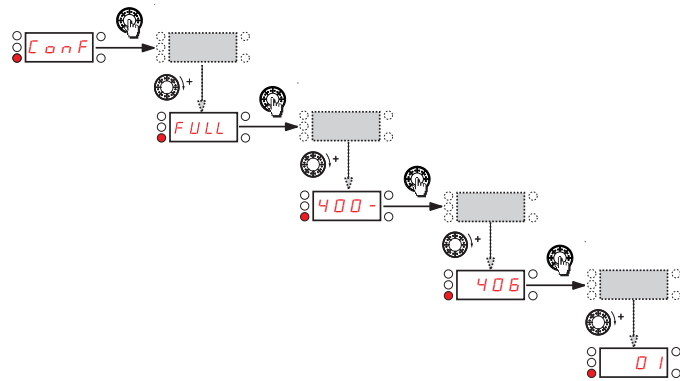


(a): Run Forward

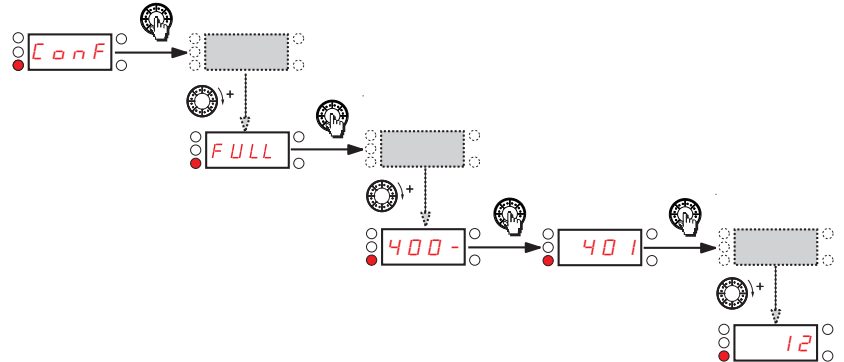
Important: Please refer to the Function compatibility table (page 32).

1. Connect the ground terminal to the grounding screws located below the output terminals.
2. Connect the power terminals.
3. Connect the logic input LI1 and plug RJ45 cable connector to the Modbus socket.
4. Turn on the drive without giving a run command.
5. Assign factory settings to the drive, i.e. set **Factory / recall customer parameter set 102** (page 42) to **64**.
6. Set the motor parameters (in CO_nF mode) only if the factory configuration of the drive is not suitable.
7. Perform an auto-tuning.
8. Set **Channel configuration 406** (page 58) to **01**.

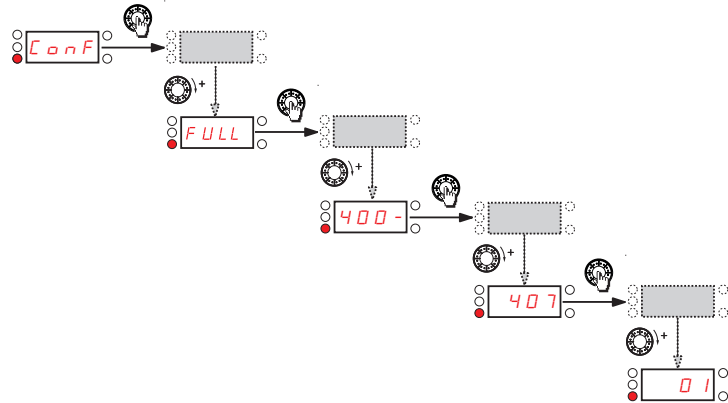
(a)



Set **Reference channel 1401** (page 58) to **12**.



Check that **Command channel 1407** (page 59) is set to **01**.



9. Start

Parameter index

Code	Page	Name	Unit	Possible value / Function		Factory setting	User setting
501.4	61 68	Acceleration 2	s	0.0 to 999.9	-	5s	
501.0	60	Acceleration	s	0.0 to 999.9	-	3.0s	
504.0	63	Automatic DC injection		00 01 02	No Yes Continuous	Yes	
701	93	Modbus address		0FF to 247	-	Off	
403	33 35 58	Analog input virtual	%	0 to 100	-	-	
216.0	51	AO1 assignment		00 129 130 131 135 136 137 139 140 141	None Motor current Estimated motor frequency Ramp output PID reference value PID feedback PID error Output power Motor thermal state Drive thermal state	00	
216.1	51	AO1 type		100 0A 4A	Voltage Current Current	0A	
217	51	Reference Template		00 02	Standard Deadband	00	
602.0	86	Automatic restart		00 01	No Yes	00	
301	52	Standard motor frequency	Hz	00 01	-	50 Hz	
501.6	61	Decel Ramp Adaptation assignment		00 01 02	No Yes Motor braking	Yes	
907	37	Card 1 Software Version	-	-	-	-	-
908	37	Card 2 Software Version	-	-	-	-	-
407	59	Command channel 1		01 02 03 10	Terminals Local Remote display Modbus		
100	43	Macro-configuration	-	-	-	-	-
406	58	Channel configuration		01 02	Simultaneous mode Separate mode	01	
511	83	CURRENT LIMITATION MENU	A	0.25 to 1.5	-	1.5 A	

Parameter index

Code	Page	Name	Unit	Possible value / Function		Factory setting	User setting
511.2	83	Current limitation 2	A	0.25 to 1.5	-	1.5 A	
999	40	HMI Password	-	OFF On	Password disabled Password activated	OFF	
913	38	Modbus communication status	-	r0t0 r0t1 r1t0 r1t1	-	-	
303	52	Rated motor cos phi	-	0.5 to 1	-	Determined by drive rating	
204.2	48	AI1 current scaling parameter of 100%	mA	0 to 20	-	20 mA	
CrL1	48	AI1 current scaling parameter of 0%	mA	0 to 20	-	4 mA	
214	50	Motor current threshold	In	0 to 1.5	-	InV	
309	52	Motor control type	-	00 03 06	Standard High performance Pump	00	
502.3	62	Ramp divider		1 to 10	-	4	
501.5	61	Deceleration 2	s	0.0 to 999.9	-	5 s	
914	38	Last fault 1	-	See page 102		-	-
916	39	Last fault 2	-	See page 102		-	-
918	39	Last fault 3	-	See page 102		-	-
920	39	Last fault 4	-	See page 102		-	-
612	92	Degraded line supply operation		00 01	No Yes	00	
915	39	State of drive at fault 1	-	-	-	-	-
917	39	State of drive at fault 2	-	-	-	-	-
919	39	State of drive at fault 3	-	-	-	-	-
921	39	State of drive at fault 4	-	-	-	-	-
102	42	Factory / recall customer parameter set	-	00 64 02	No REC IN INI	00	
313	53	Frequency loop gain	%	0 to 100	-	20%	
408	59	Forced local assignment		00 L1H L2H L3H L4H	No L1h L2h L3h L4h	00	

Parameter index

Code	Page	Name	Unit	Possible value / Function		Factory setting	User setting
409	59	Forced local reference		00 01 163 183	None Terminal HMI Jog Dial	00	
603	87	Catch on the fly		00 01	No Yes	00	
401	58	Reference channel 1		01 163 164 183	Terminal HMI Modbus Jog Dial	01	
801	33	Speed reference		01 63 164 183	Terminal HMI Modbus Jog Dial		
306	52	Rated motor frequency	Hz	10 to 400	-	50 or 60 Hz (301)	
502.2	62	Fast stop assignment		00 L1L L2L L3L L4L	NONE L1L: LI1 active low L2L: LI2 active low L3L: LI3 active low L4L: LI4 active low	00	
213	50	Motor frequency threshold	Hz	0 to 400	-	50 or 60 Hz	
911	38	Fan time display		0.01 to 999	-	-	-
512.2	85	High speed	Hz	512.0 to 308	-	50 or 60 Hz	
512.5	85	High speed 2	Hz	512.0 to 308	-	50 or 60 Hz determined by 301 and max. 308	
512.6	85	High speed 3	Hz	As 512.5	As HS2	As 512.5	
512.7	85	High speed 4	Hz	As 512.5	As HS2	As 512.5	
903	37	Display of high speed value	-	-	-	-	-
610	91	Detected fault inhibition assignment		00 L1H L2H L3H L4H	NONE L1h: LI1 active high L2h: LI2 active high L3h: LI3 active high L4h: LI4 active high	00	
606	89	Input Phase loss	-	00 01	No Yes	Yes	
604	89	Motor thermal current	A	0.2 to 1.5	-	Determined by drive rating	
505	64	Jog assignment		00 L1H L2H L3H L4H	None L1h: LI1 active high L2h: LI2 active high L3h: LI2 active high L4h: LI4 active high	00	
508	72	Skip frequency	Hz	0 to 400	-	0 Hz	

Parameter index

Code	Page	Name	Unit	Possible value / Function		Factory setting	User setting
511.0	83	2nd current limitation commutation		00 L1H L2H L3H L4H L1L L2L L3L L4L	NONE L1h: LI1 active high L2h: LI2 active high L3h: LI3 active high L4h: LI4 active high L1L: LI1 active low L2L: LI2 active low L3L: LI3 active low L4L: LI4 active low	00	
803	35	Motor current	A	-	-	-	-
609	90	4-20mA loss Behaviour		00 01	00 01	00	
402	35 58	External reference value	-	- 400 to 400	-	0	
901	37	State of logic inputs LI1 to LI4	-	-	-	-	-
208	49	Application Overload threshold	% of In	70 to 150	-	90 %	
902	37	State of the logic output LO1 and relay R1	-	-	-	-	-
512	84	Low speed	Hz	0 to 512.2	-	0 Hz	
211	50	Application Underload threshold	% of In	20 to 100	-	60 %	
319	55	Motor parameter choice	-	00 01	00 01	01	
604.3	89	Motor thermal state memo	-	00 01	00 01	nO	
708.0	94	Com scanner write address value 1					
708.1	94	Com scanner write address value 2					
708.2	94	Com scanner write address value 3					
708.3	94	Com scanner write address value 4					
706.0	93	Com scanner write address parameter 1				2135	
706.1	93	Com scanner write address parameter 2				219C	
706.2	93	Com scanner write address parameter 3				0	
706.3	93	Com scanner write address parameter 4					

Parameter index

Code	Page	Name	Unit	Possible value / Function		Factory setting	User setting
305	52	Rated motor current	A (1)	0.25 to 1.5	-	Determined by drive rating	
904	37	Drive Power rating					
707.0	94	Com scanner read address value 1					
707.1	94	Com scanner read address value 2					
707.2	94	Com scanner read address value 3					
707.3	94	Com scanner read address value 4					
705.0	93	Com scanner read address parameter 1	-			0C81	
705.1	93	Com scanner read address parameter 2	-			219C	
705.2	93	Com scanner read address parameter 3	-			0	
705.3	93	Com scanner read address parameter 4	-			0	
203	47	Logic inputs type	-	00 01 02	Positive Negative internal supply Negative external supply	00	
302	52	Rated Motor Power	kW or HP	-	-	Determined by drive rating	
317	54	Motor noise reduction		00 01	No Yes	00	
307	52	Rated motor speed	rpm	0 to 32767	-	Determined by drive rating	
502.1	62	Freewheel stop assignment		00 L1L L2L L3L L4L	No L1L: LI1 active low L2L: LI2 active low L3L: LI3 active low L4L: LI4 active low	00	
604.2	89	Overload fault management	-	00 01	No Yes	Yes	
605	89	Output Phase loss	-	00 01	No Yes	Yes	
810	35	Output power	%	-	-	-	-
59.17	68	PID auto/manual assignment		00 L1H L2H L3H L4H	No L1h: LI1 active high L2h: LI2 active high L3h: LI3 active high L4h: LI4 active high	00	
912	38		0.01	-	-	-	-
314	54	Flux Profile	%	0 to 100		20%	
59.16	68	PID correction reverse	-	00 01	No Yes	00	

(1) In = rated drive current

Parameter index

Code	Page	Name	Unit	Possible value / Function		Factory setting	User setting
59.00	66	PID feedback assignment		00 01	None Terminal	00	
59.05	66	Activation internal PID reference value		00 01	No Yes	00	
59.18	68	PID manual reference		00 01 02	No Terminal AIV	00	
59.06	66	2 preset PID assignment	-	00 L1H L2H L3H L4H	None L1h L2h L3h L4h	00	
59.07	67	4 preset PID assignment		59.06	As 59.06	00	
59.12	67	PID reference value ramp	s	0 to 99.9	-	0 s	
507.0	72	2 preset speeds		00 L1H L2H L3H L4H	None L1h: LI1 active high L2h: LI2 active high L3h: LI2 active high L4h: LI4 active high	00	
507.1	72	4 preset speeds		507.0	As 507.0	00	
507.2	72	8 preset speeds		507.0	As 507.0	00	
405	58	Stop key priority		00 01	No Yes	Yes	
910	38	Power On time display		0.01 to 999	-	-	-
205	48	R1 assignment	-	00 01 02 04 05 06 07 08 21 22 123	Not assigned No error detected Drive run Frequency threshold reached 512.2 reached I threshold reached Frequency reference reached Motor thermal state reached Underload alarm Overload alarm AI1AI. 4-20	01	
59.03	66	PID derivative gain		0.00 to 100.00	-	0.00	
802	35	Output frequency	Hz	-	-	-	
59.02	66	PID integral gain		0.01 to 100	-	1	
404	58	Reverse inhibition		00 01	No Yes	00	

Parameter index

Code	Page	Name	Unit	Possible value / Function		Factory setting	User setting
59.08	67	2 preset PID reference value	%	0 to 100	-	25%	
59.09	67	3 preset PID reference value	%	0 to 100	-	50%	
59.10	67	4 preset PID reference value	%	0 to 100	-	75%	
806	35	PID reference	-	-	-	-	-
804	35	PID error	-	-	-	-	-
805	35	PID feedback	-	-	-	-	-
59.01	66	PID proportional gain		0.01 to 100	-	1	
59.14	67	PID max value reference	% PID	0 to 100	-	100%	
59.11	67	Internal PID reference value	% PID	0 to 100	-	0%	
59.13	67	PID min value reference	% PID	0 to 100	-	0%	
613	92	Reset power run		00 01	Function inactive Reset fan time display	00	
501.3	60	Ramp switching commutation		00 L1H L2H L3H L4H L1L L2L L3L L4L	None L1h: LI1 active high L2h: LI2 active high L3h: LI3 active high L4h: LI4 active high L1L: LI1 active low L2L: LI2 active low L3L: LI3 active low L4L: LI4 active low	00	
501.2	60	Ramp shape assignment		00 01 02	Linear S-shape U-shape	00	
503	62	Reverse direction	-	00 L1h L2H L3H L4H	Function inactive L1h active high L2h active high L3h active high L4h active high	00	
601	86	Detected fault reset assignment	-	00 L1H L2H L3H L4H	None L1h: LI1 active high L2h: LI2 active high L3h: LI3 active high L4h: LI4 active high	00	
59.19	69	PID: wake up level	%	0 to 100	-	0%	
909	38	Run elapsed time display	0.01h	0.01 to 999	-	-	-
101	42	Store customer parameter set	-	00 01	No Yes	00	
504.1	63	Automatic DC injection current	A	0 to 1.2		0.7A	
315	54	Switching frequency	kHz	2 to 16	-	12	
59.15	67	PID predictive speed	-	n0 to 400	-	00	

Parameter index

Code	Page	Name	Unit	Possible value / Function		Factory setting	User setting
5 12.3	85	2 High speed assignment	-	00 L 1H L 2H L 3H L 4H	None L1h: LI1 active high L2h: LI2 active high L3h: LI3 active high L4h: LI4 active high	00	
5 12.4	85	4 High speed assignment	-	As 5 12.3	As 5 12.3	00	
6 11	92	Modbus detected fault management		00 01	No Yes	Yes	
3 11	53	Slip compensation	% of nSL	0 to 150	-	100%	
5 07.3	72	Preset speed 2	-	-	-	-	-
5 07.4	72	Preset speed 3	-	-	-	-	-
5 07.5	72	Preset speed 4	-	-	-	-	-
5 07.6	72	Preset speed 5	Hz	0 to 400	-	25 Hz	
5 07.7	72	Preset speed 6	Hz	0 to 400	-	30 Hz	
5 07.8	72	Preset speed 7	Hz	0 to 400	-	35 Hz	
5 07.9	72	Preset speed 8	Hz	0 to 400	-	40 Hz	
9 06	37	Specific Product Number	-	-	-	-	-
3 12	53	Frequency loop stability	%	0 to 100	-	20%	
8 11	36	Product status	-	-	-	-	-
6 07.2	90	Undervoltage ramp deceleration time	s	0.0 to 10.0	-	1.0 s	
6 07.1	90	Undervoltage prevention	-	00 02	No Ramp stop	00	
6 08	90	IGBT Test		00 01	No Yes	00	
5 02.0	62	Type of stop		00 01 02	Ramp stop Fast stop Freewheel stop	00	
6 02.1	86	Max. automatic restart		0 1 2 3 4 5 6	5 min. 10 min. 30 min. 1 hr 2 hr 3 hr Infinite	5 min.	
7 02	93	Modbus baud rate		24 28 32 36	4.8 kbps 9.6 kbps 19.2 kbps 38.4 kbps	19.2 kbps	
2 01	44	Type of control	-	00 01	2 wire type control 3-wire control	00	
2 02	47	2-wire type control	-	00 01 02	0/1 level Transition Priority FW	00	

Parameter index

Code	Page	Name	Unit	Possible value / Function		Factory setting	User setting
504.2	63	Automatic DC injection time	s	0.1 to 30		0.5 s	
703	93	Modbus format	-	00 01 02 03	8o1 8E1 8n1 8n2	8E1	
308	52	Maximum frequency	Hz	10 to 400		60 or 72 Hz (to 301)	
809	35	Drive thermal state	-	-	-	-	-
808	35	Motor thermal state	%	-	-	-	-
604.1	89	Motor protection type	-	01 02	Self-ventilated Motor-ventilated	ACL	
512.1	68 84	Low speed operating time	s	0.1 to 999.9		n0	
207	49	Application Overload time delay	s	0 to 100		5 s	
215	50	Motor thermal state threshold	% of tHr	0 to 118		100%	
704	93	Modbus time out	-	0.1 to 30		10	
318	55	Auto-tuning	-	00 01 02	No Yes Complete	00	
310	53	IR compensation	%	25 to 200		100%	
807	35	Main voltage	V	-	-	-	-
210	50	Application underload time delay	s	0 to 100		5 s	
304	52	Rated motor voltage	V	100 to 480		230 V	
59.20	69	PID: Wake up threshold	%	0 to 100		0	
607.0	90	Undervoltage detected fault management	-	0 1	Detected fault + R1 open Detected fault + R1 closed	0	
905	37	Drive voltage rating	-	00		-	-
614	92	Reset all previous detected faults via Run key	-	00 01	Inactive Active	00	-

